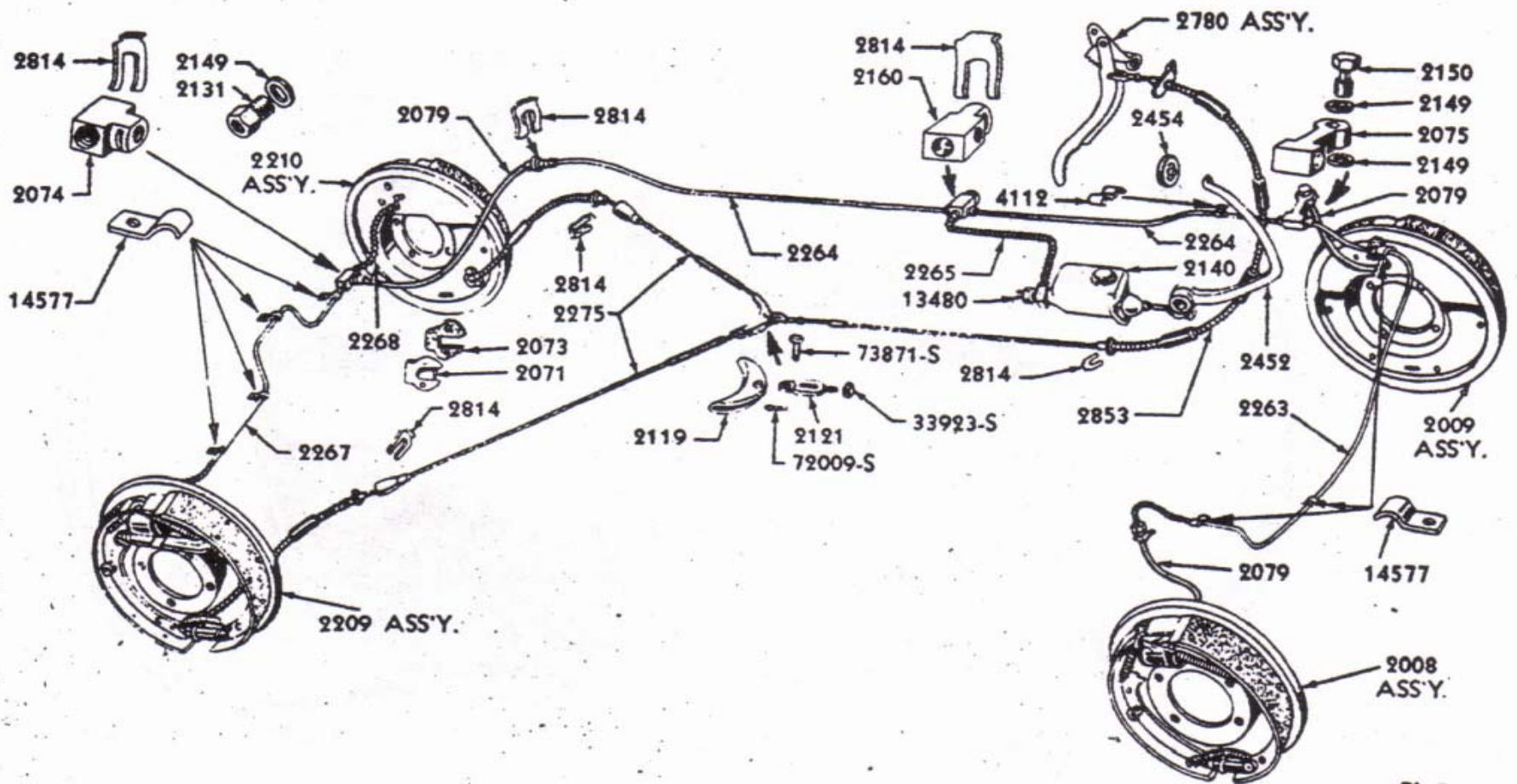


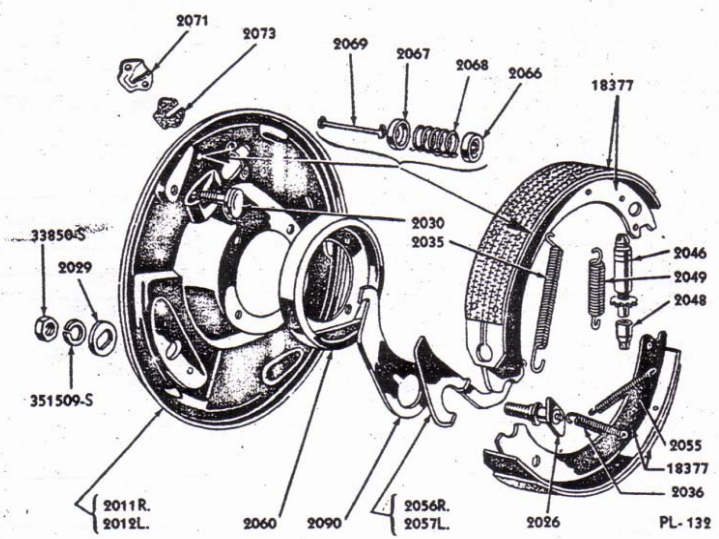
PL-142

BRAKE SYSTEM (MECHANICAL)

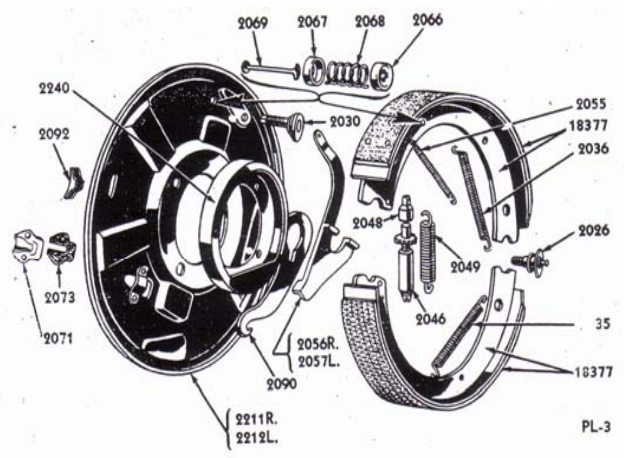


PL-7

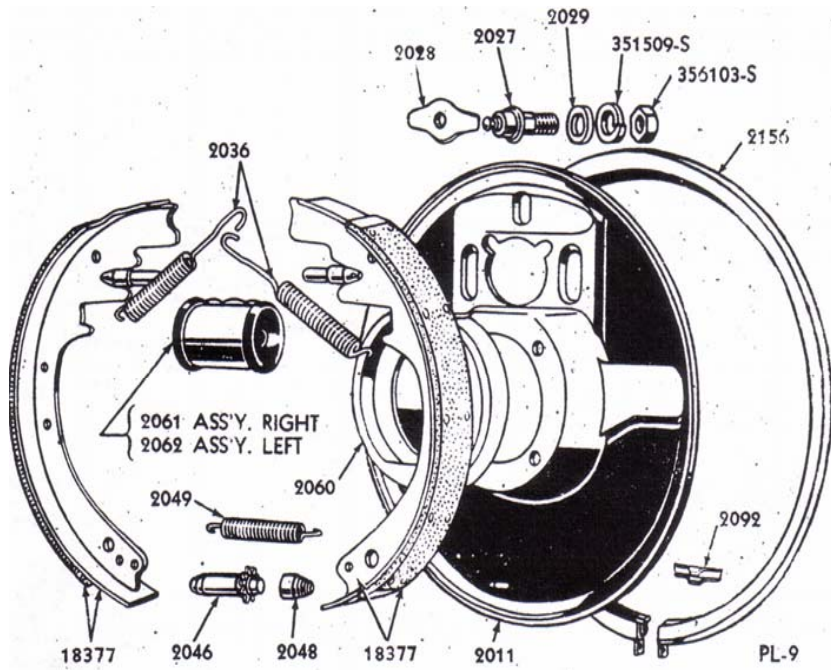
BRAKE SYSTEM (HYDRAULIC)



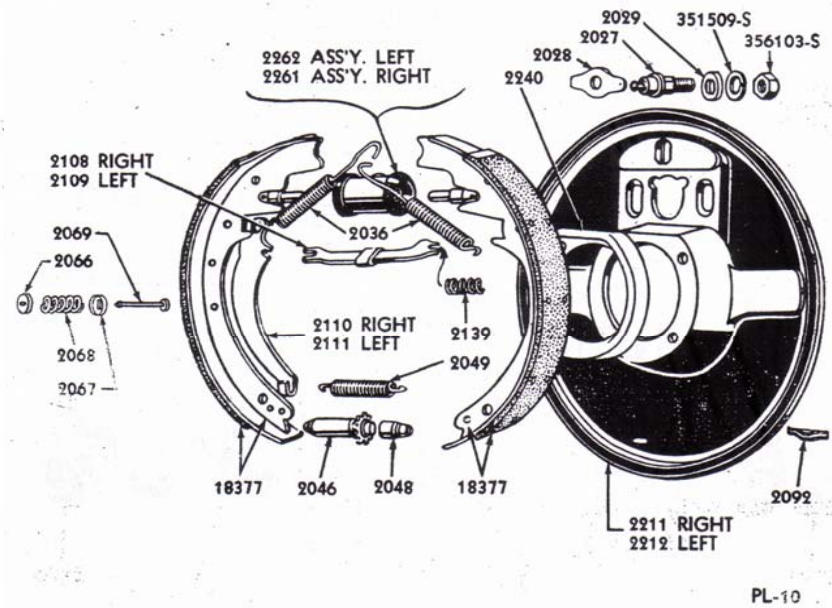
FRONT BRAKE (MECHANICAL)



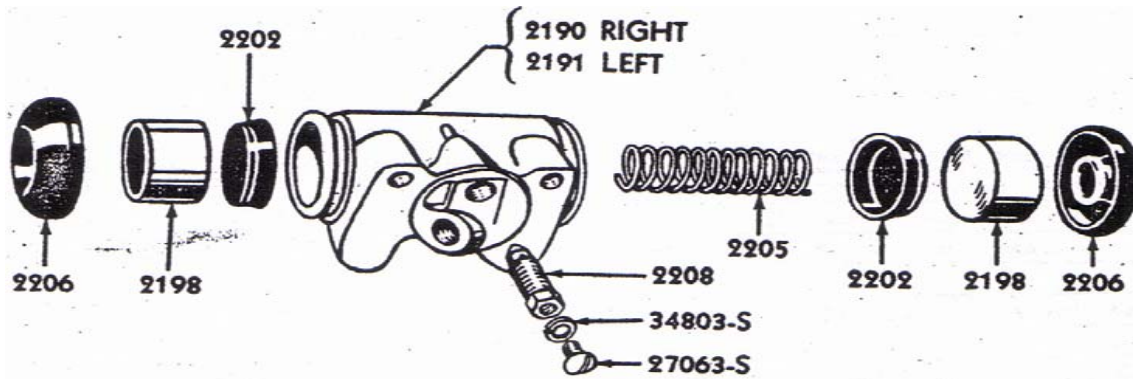
REAR BRAKE (MECHANICAL)



FRONT BRAKE (HYDRAULIC)

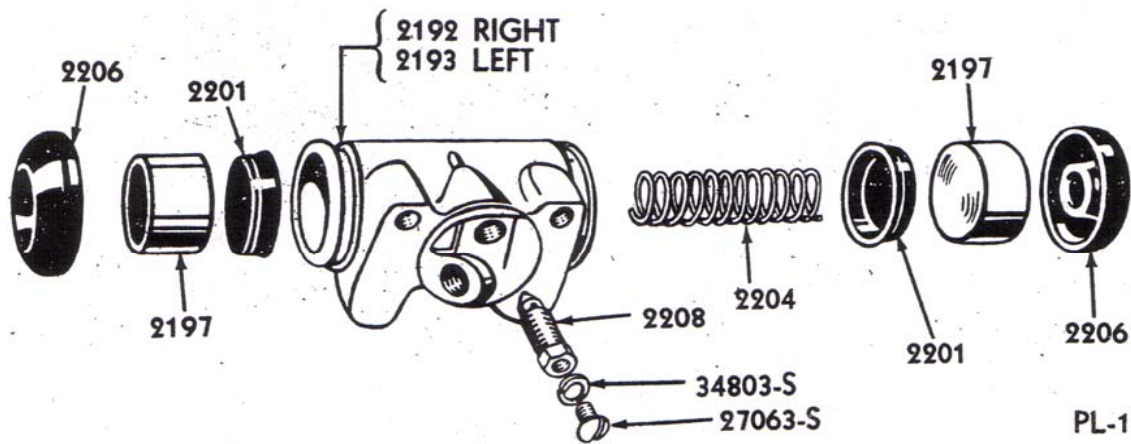


REAR BRAKE (HYDRAULIC)



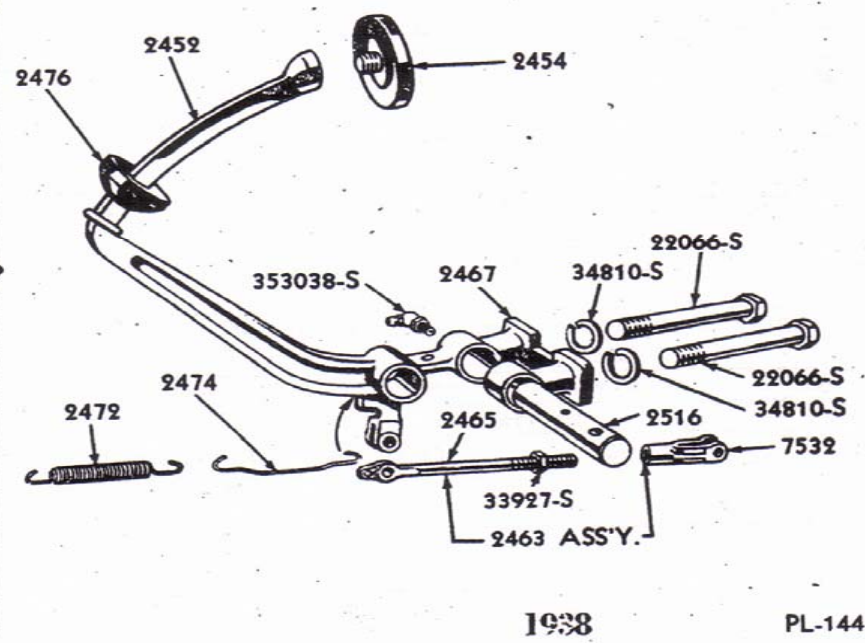
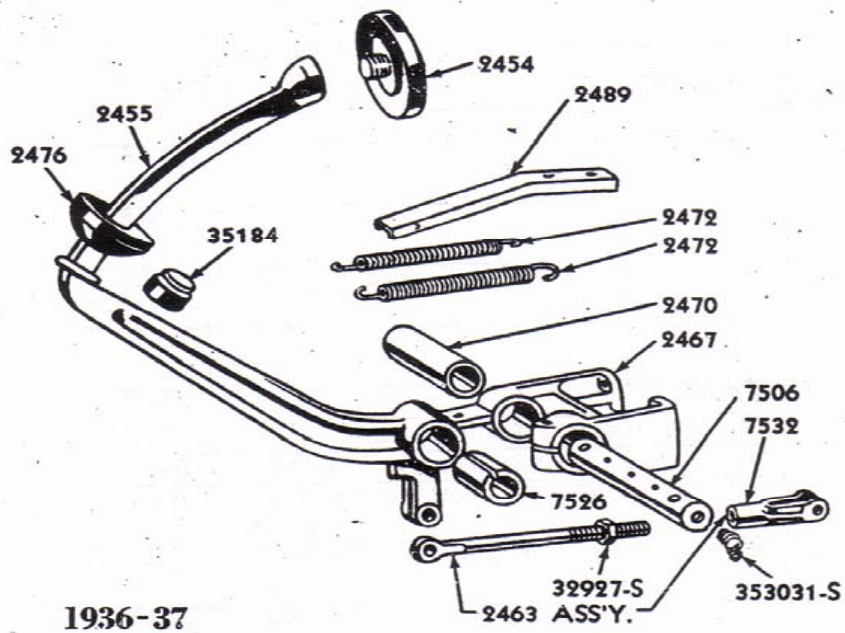
PL-11

FRONT BRAKE WHEEL CYLINDER



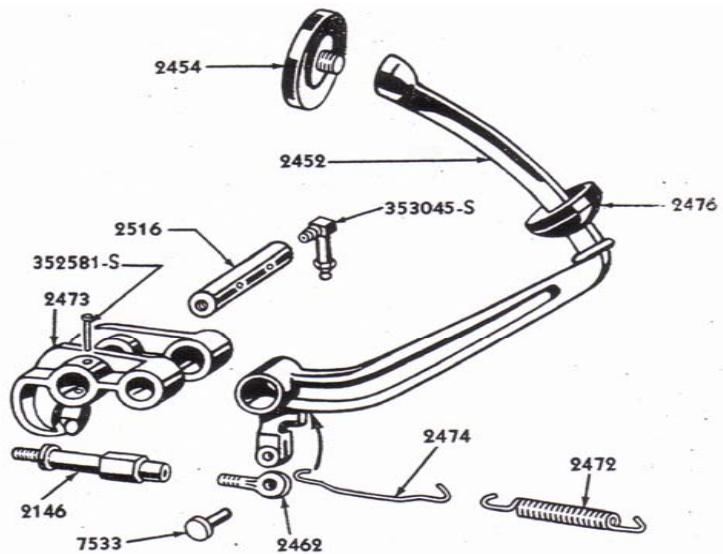
PL-12

REAR BRAKE WHEEL CYLINDER



PL-144

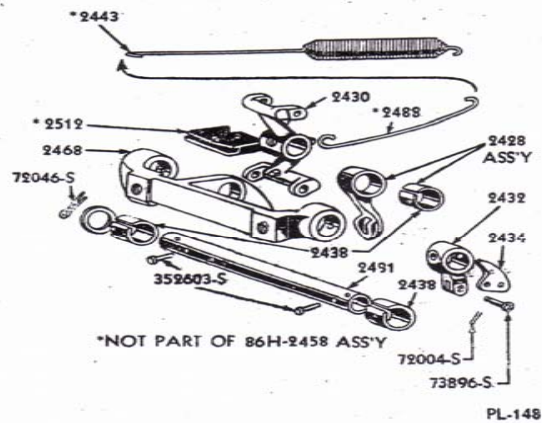
BRAKE PEDALS



1940-41-42-46-47-48

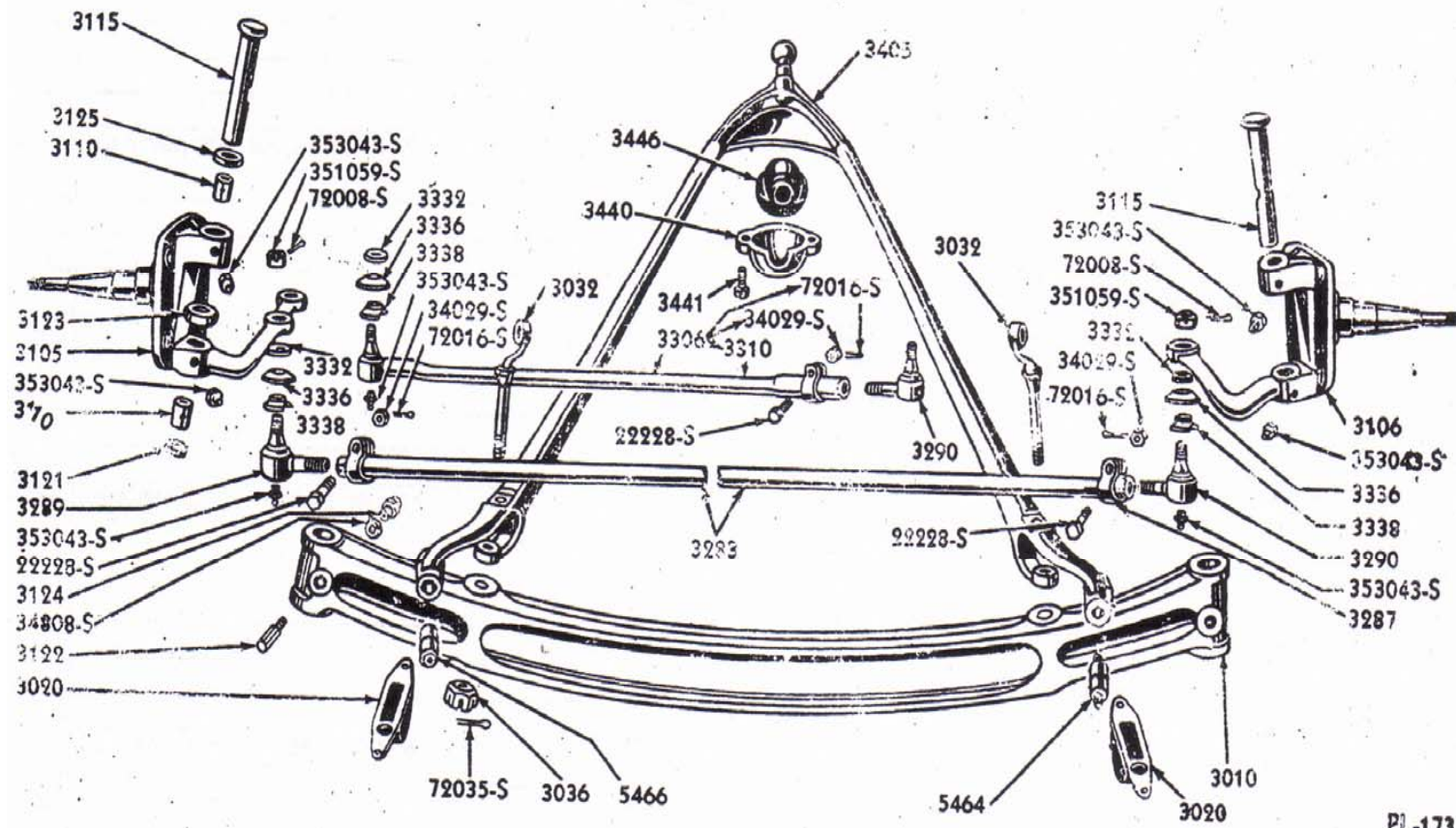
PL-145

BRAKE PEDAL

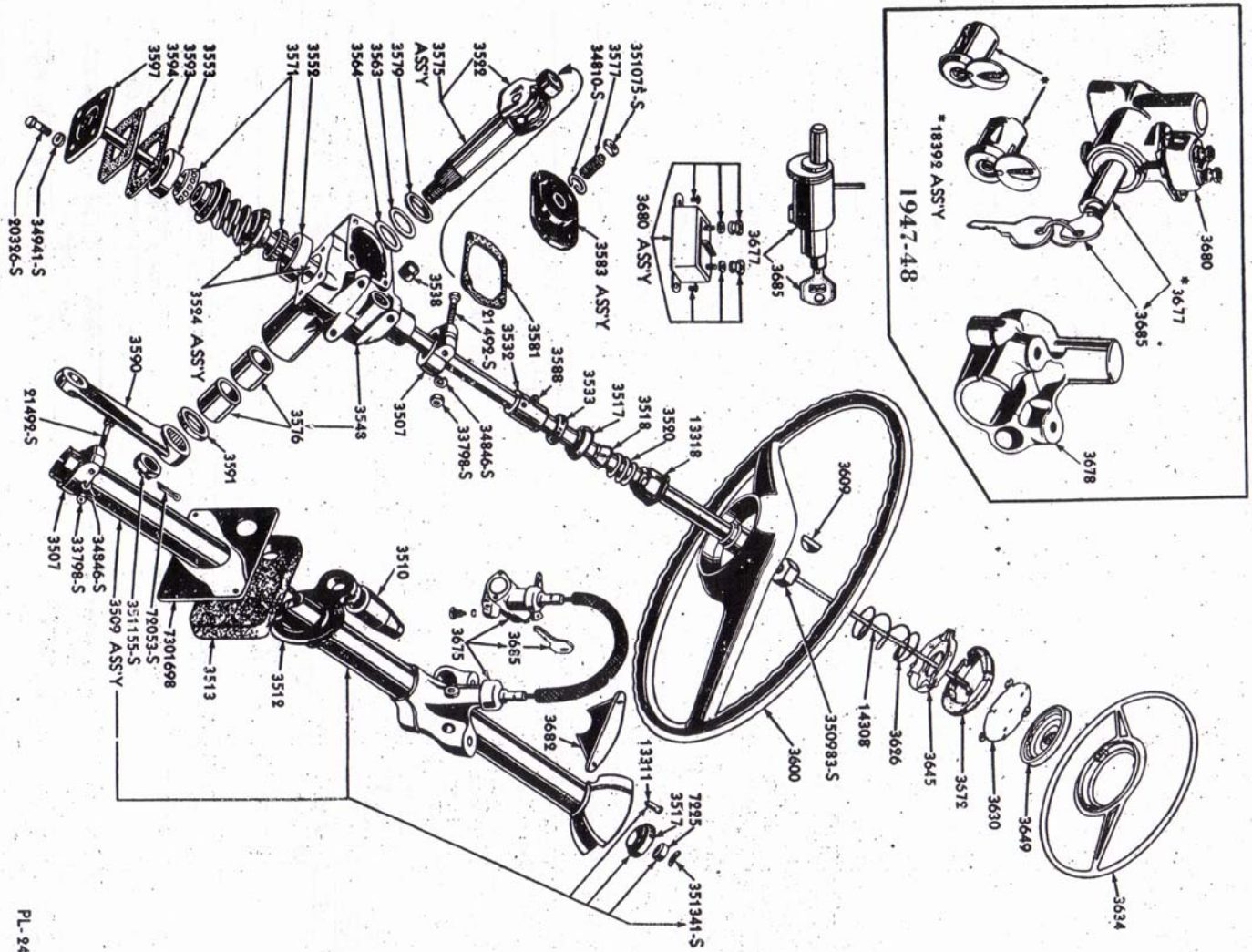


PL-148

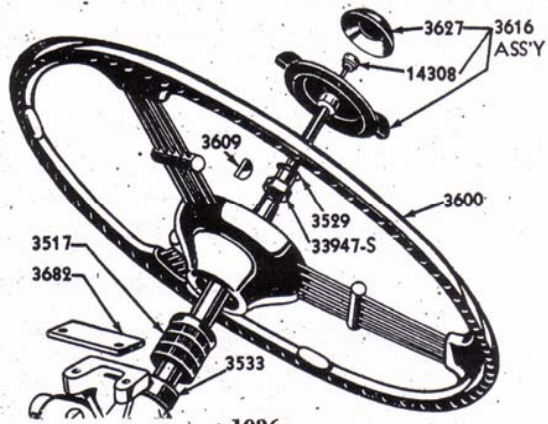
REAR BRAKE SHAFT & LEVER ASSY (85H-2458)



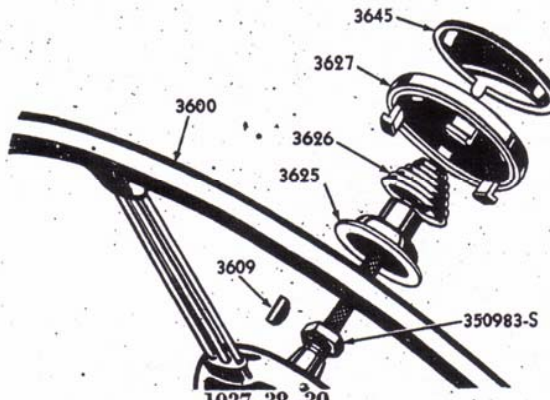
PL-173



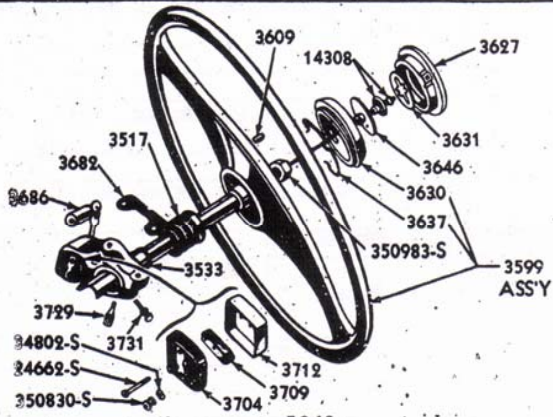
STEERING GEAR (1946)



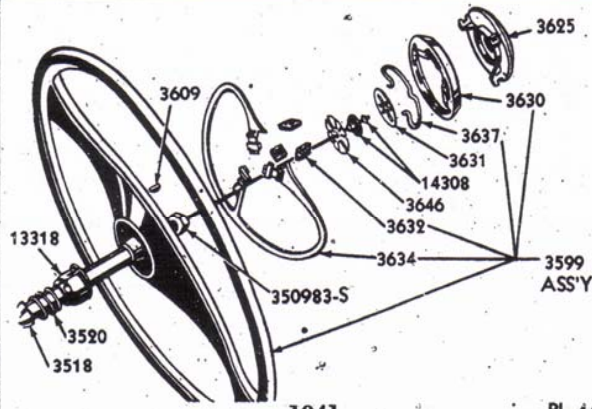
1936



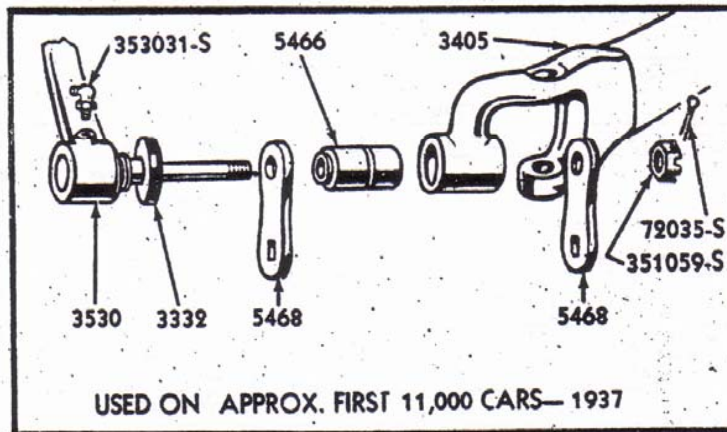
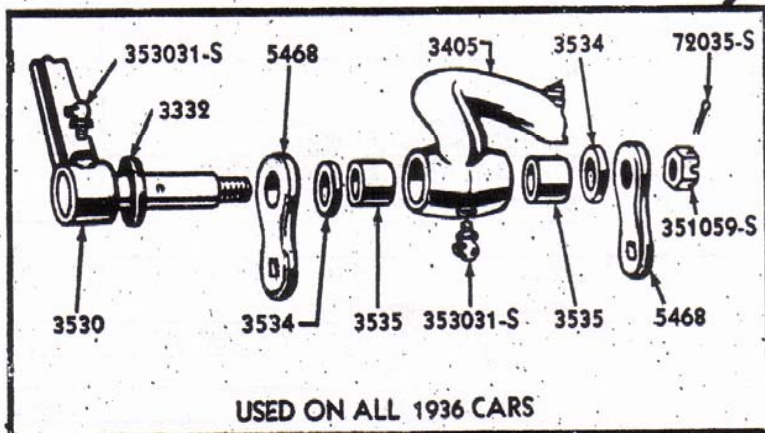
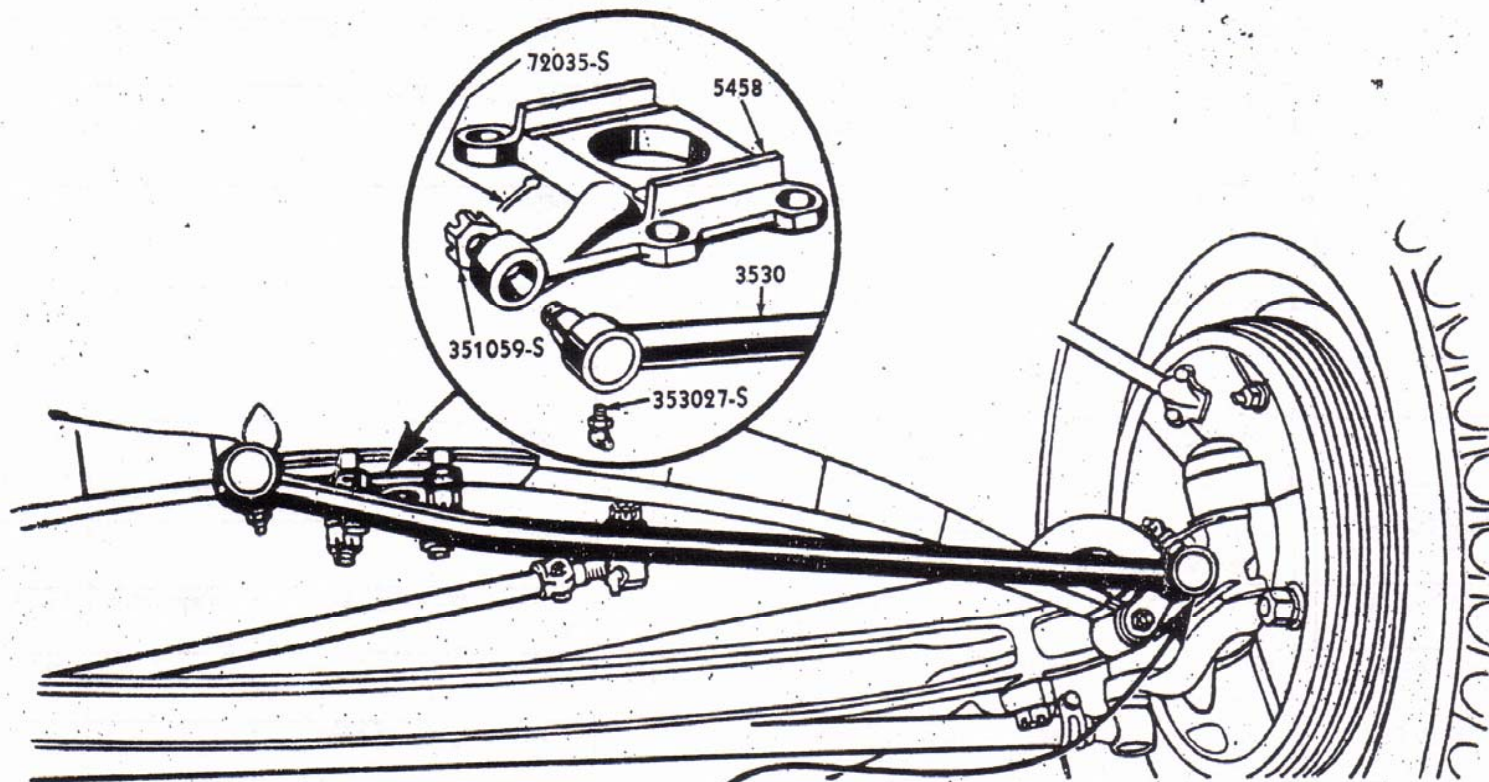
1937-38-39

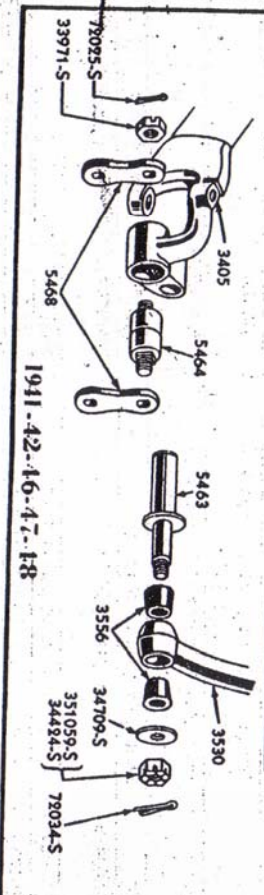
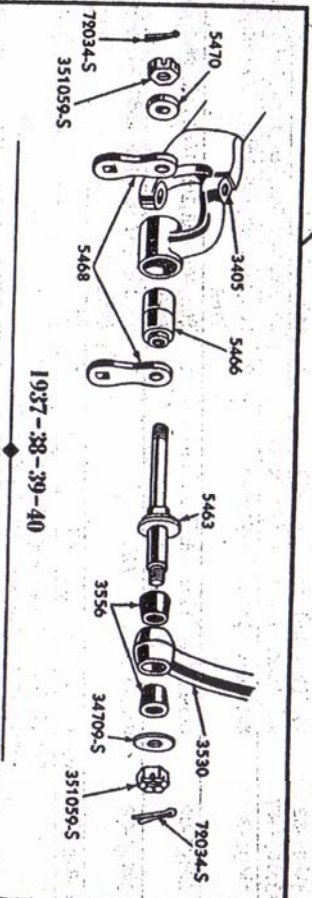
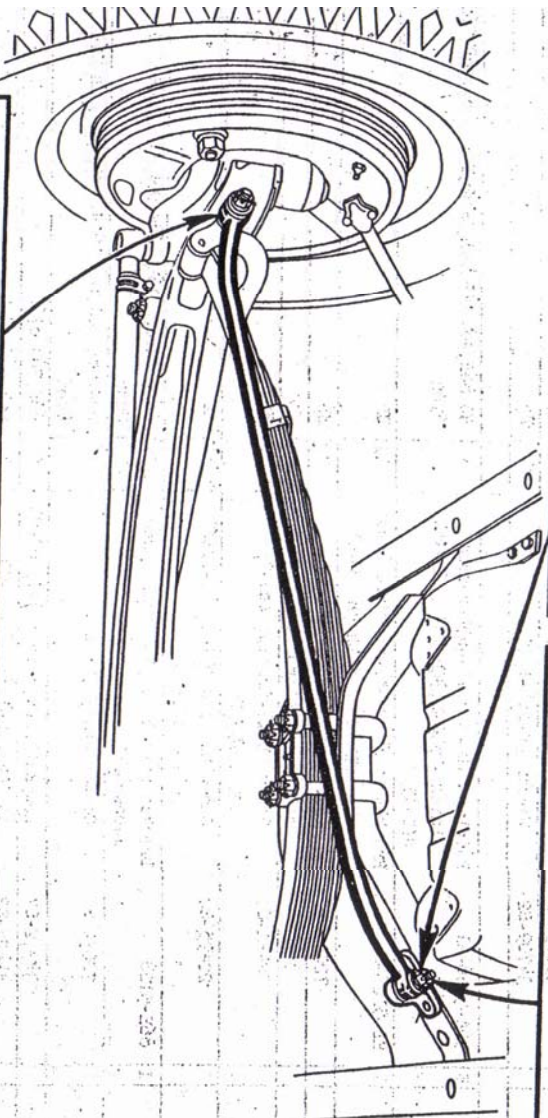
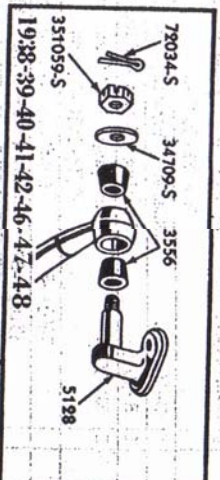
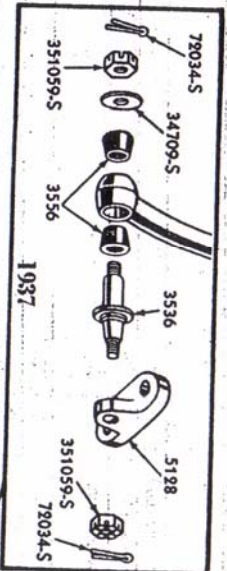


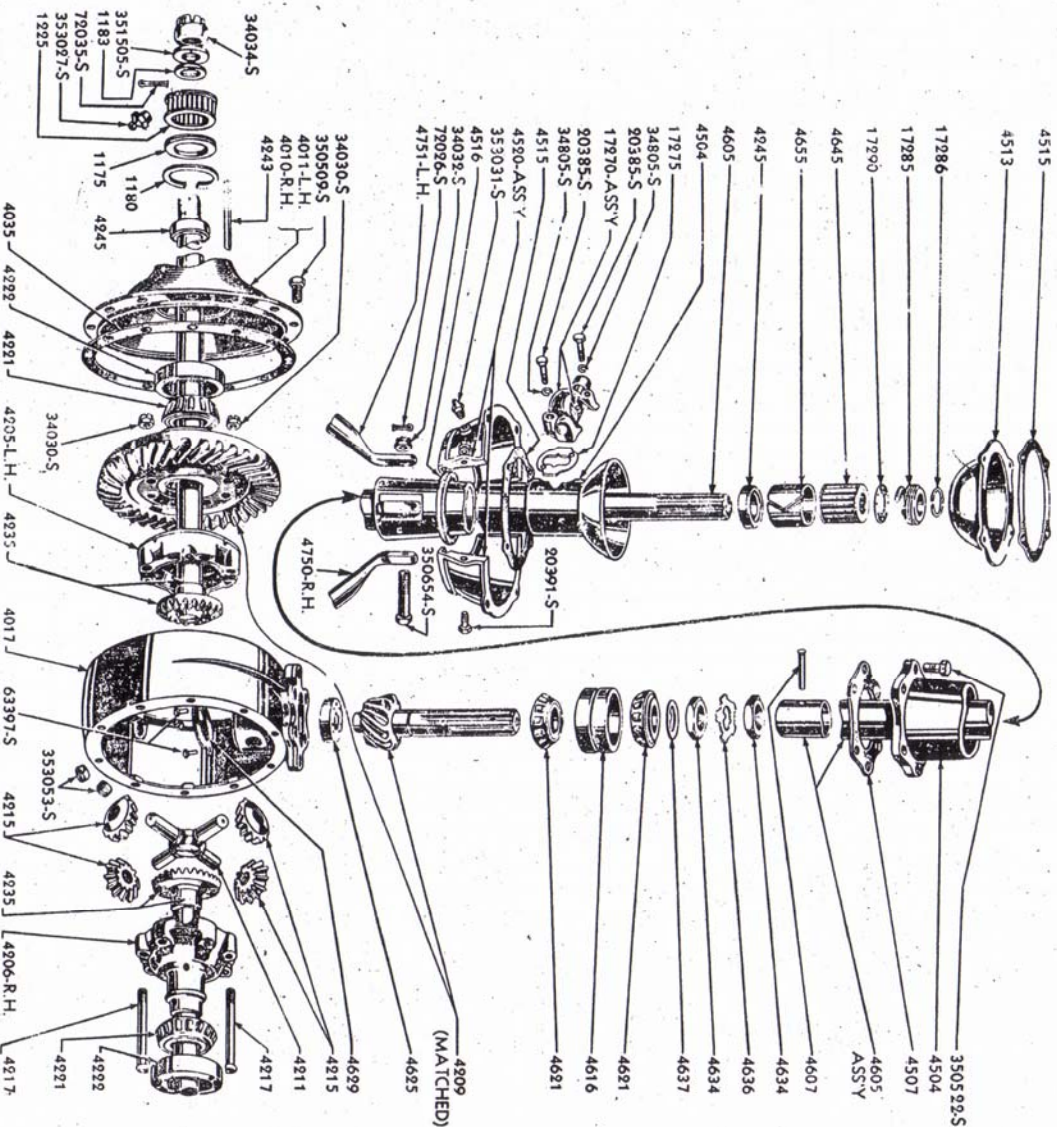
1940



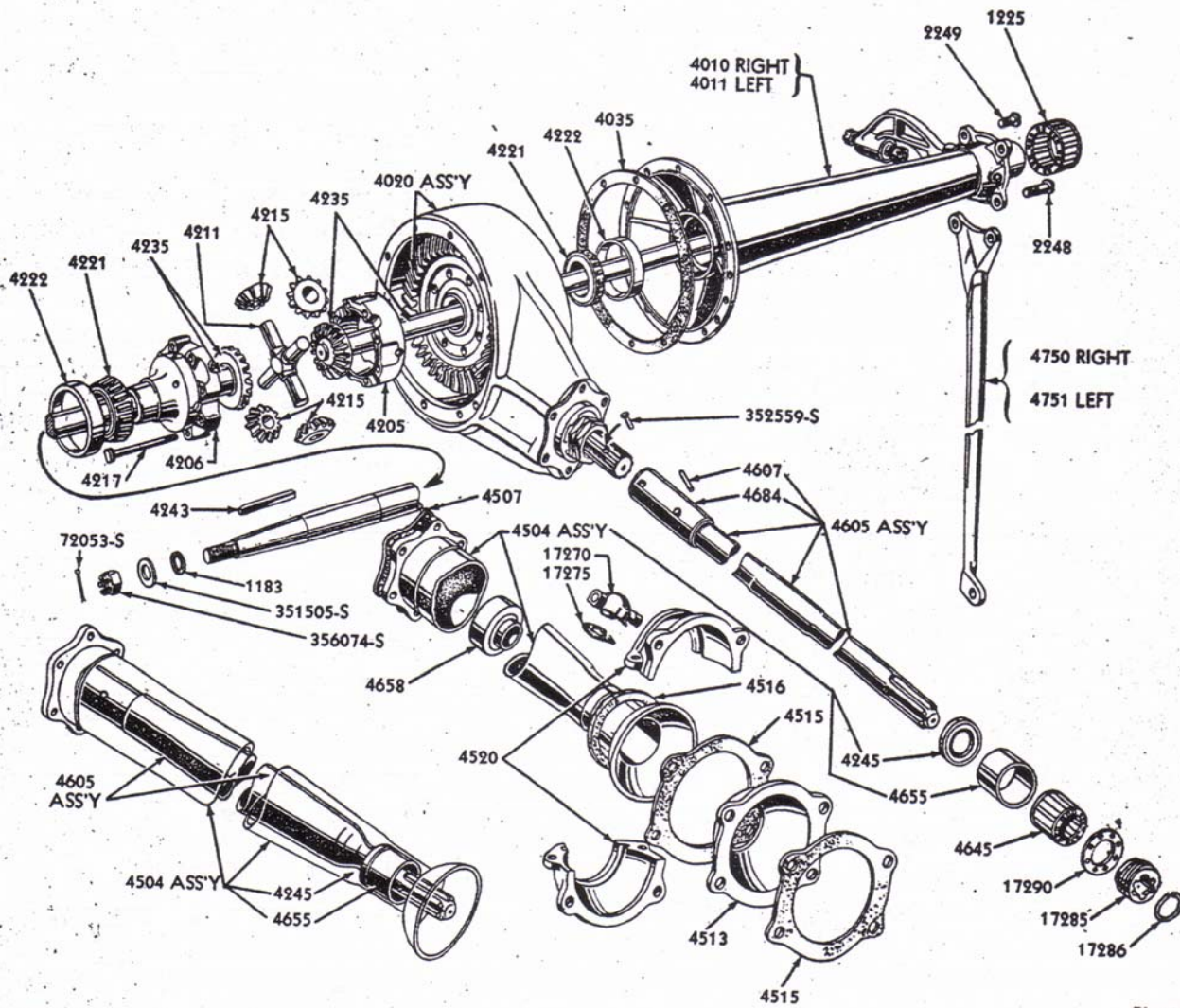
1941





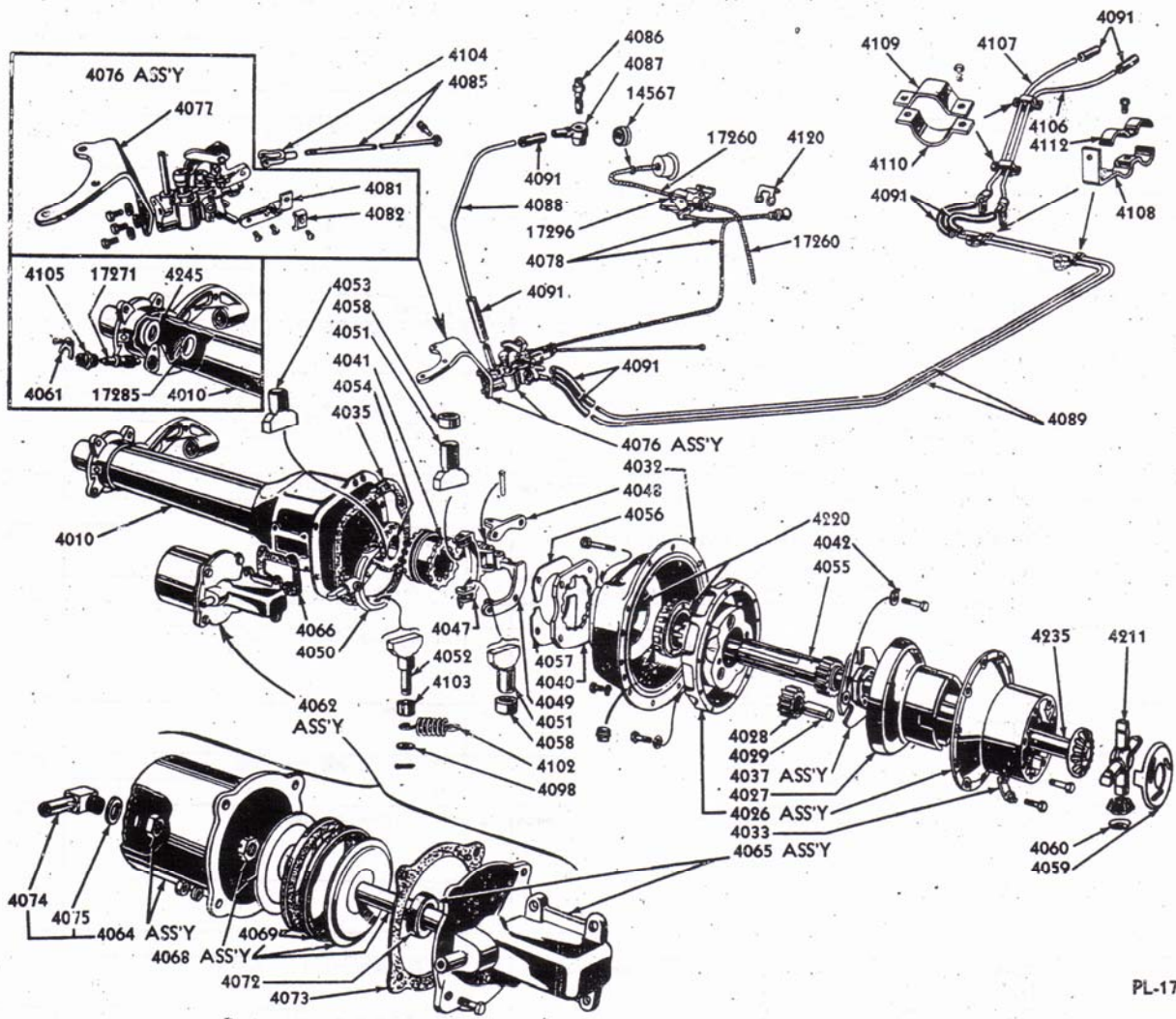


REAR AXLE (1936)

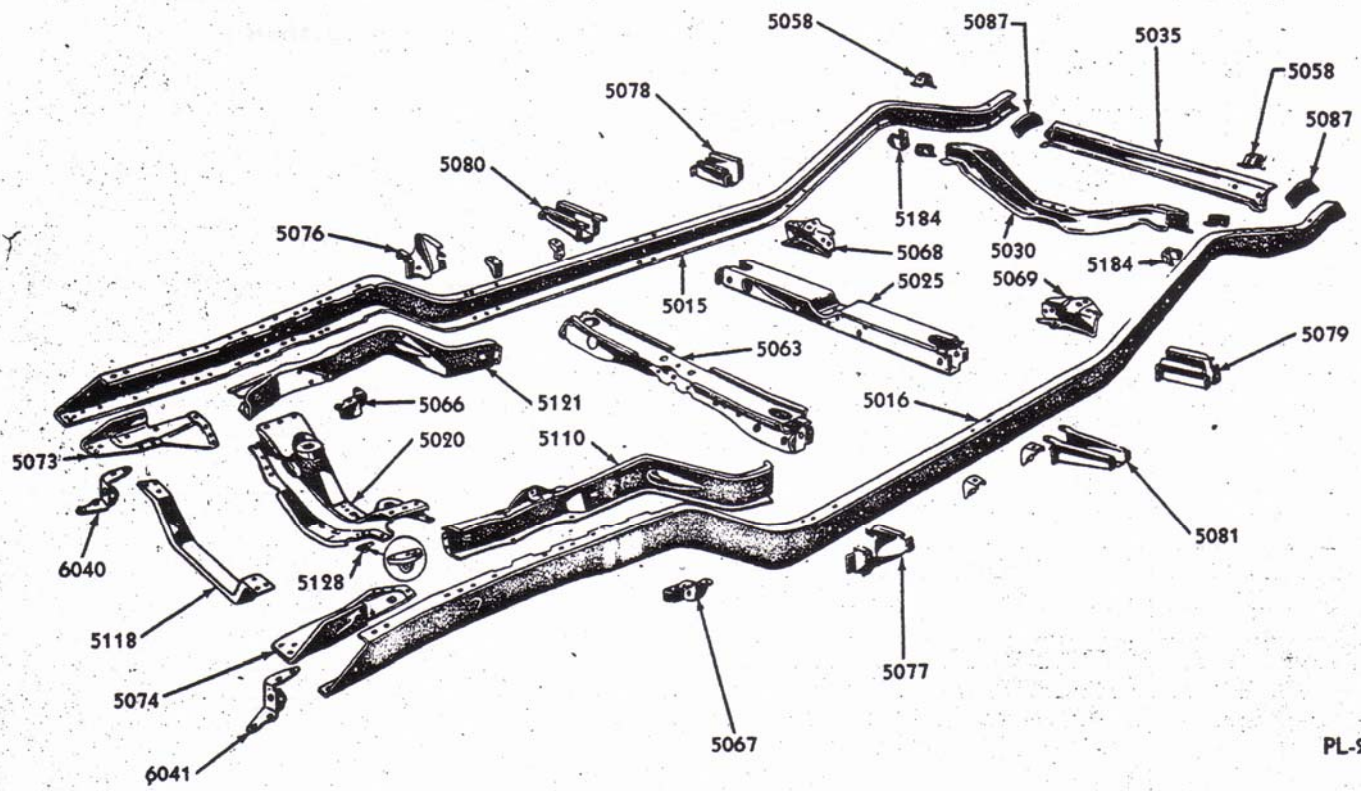


PL-18

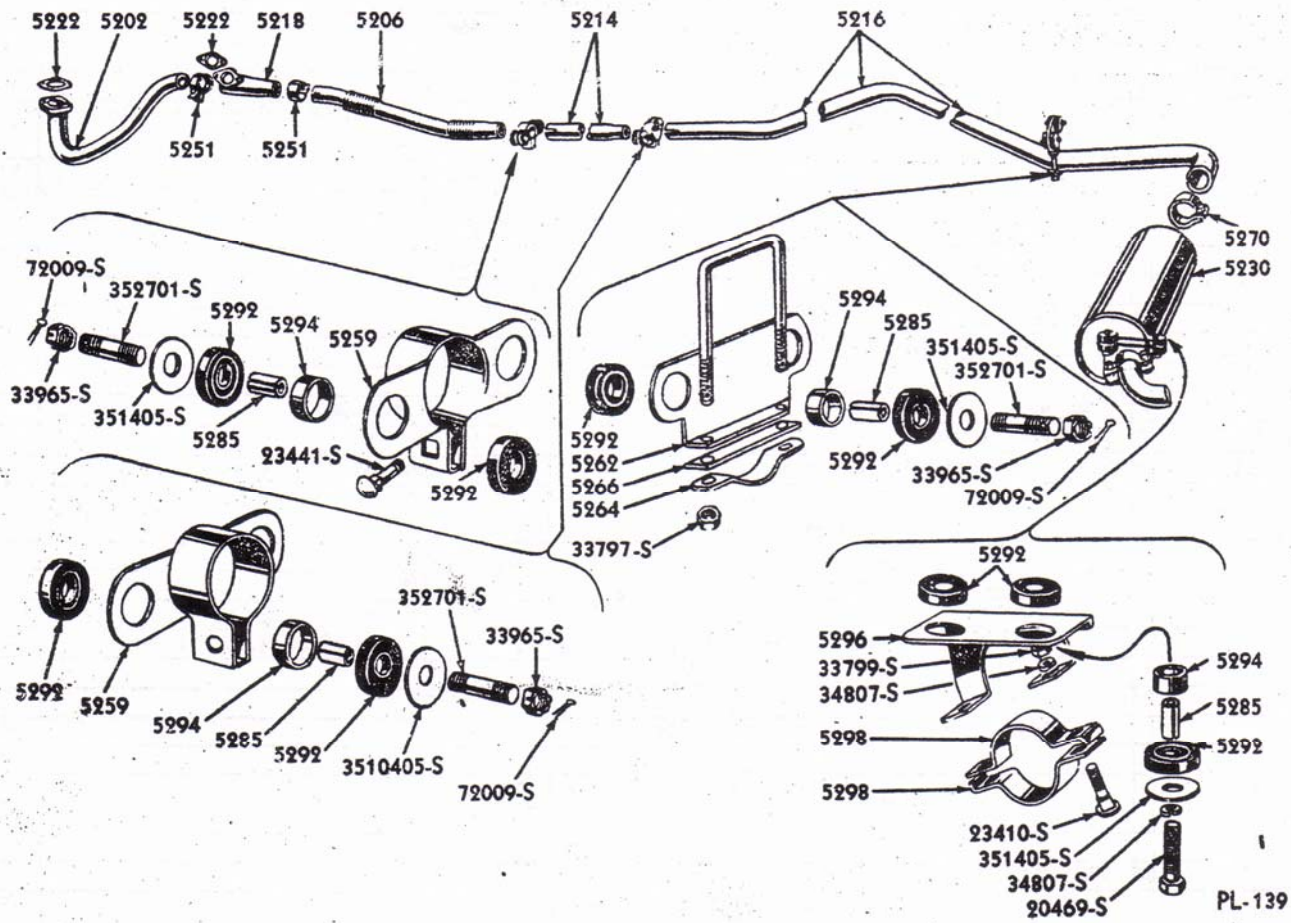
REAR AXLE (1938-48)



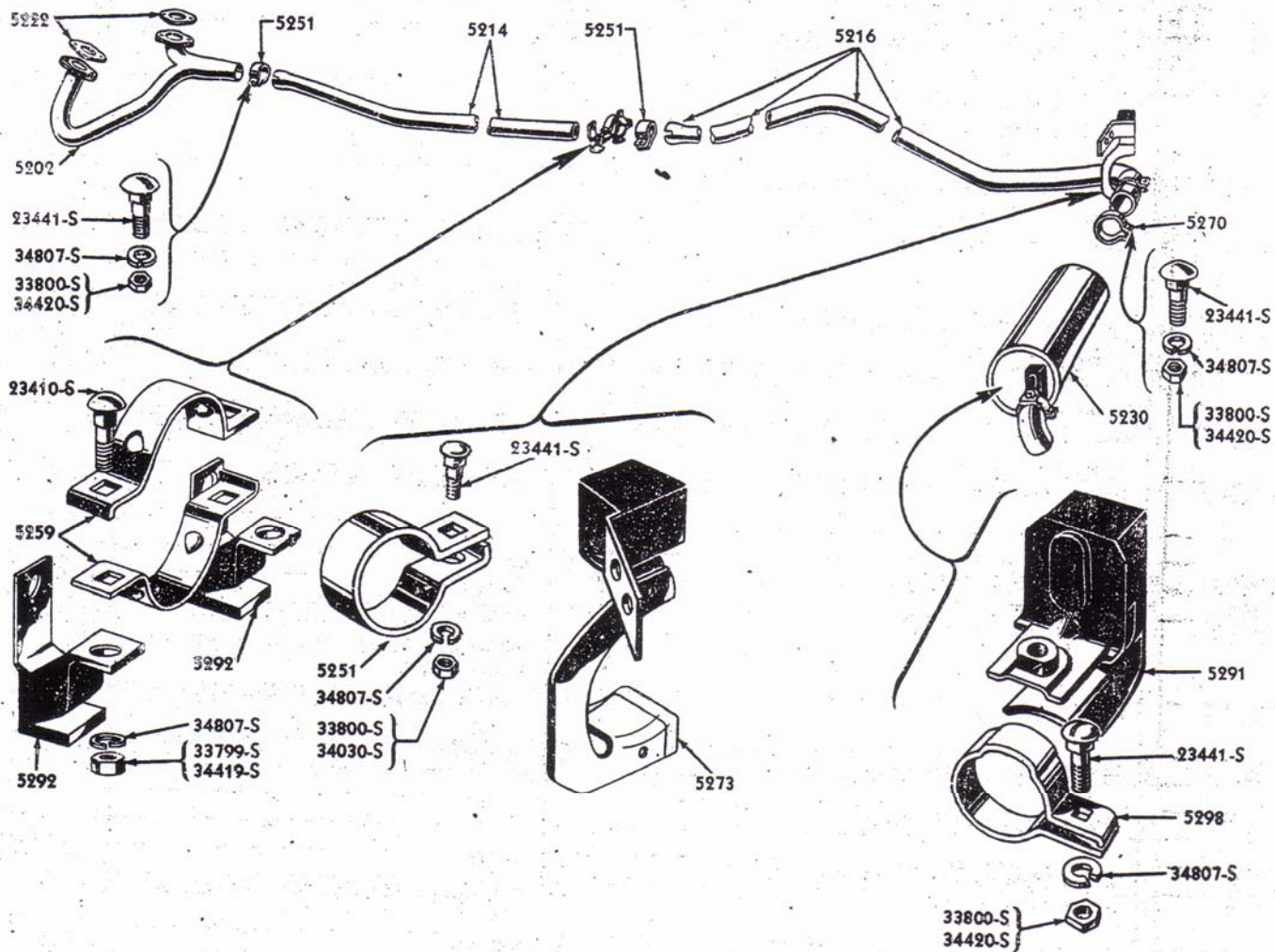
REAR AXLE (TWO SPEED)



PL-5

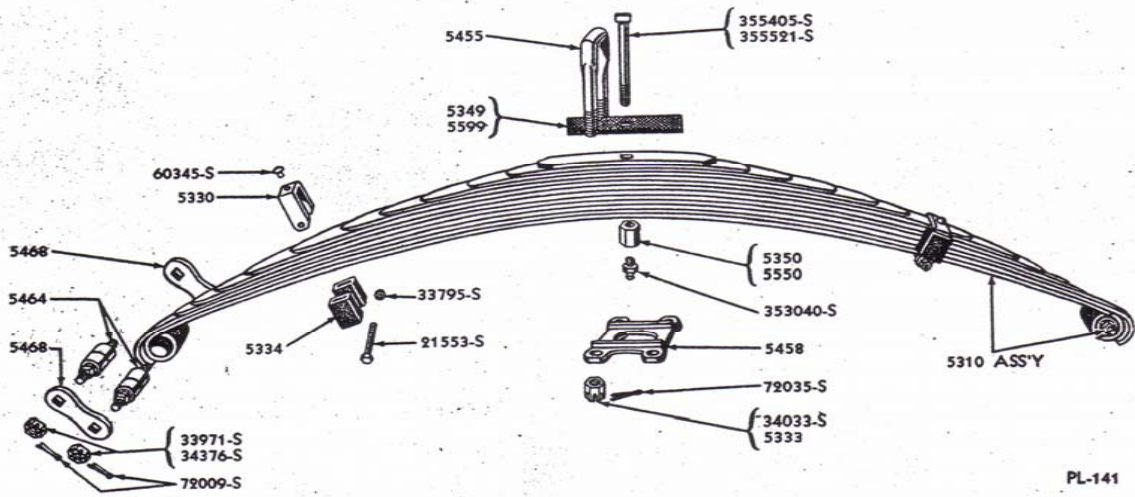


EXHAUST SYSTEM (1936)



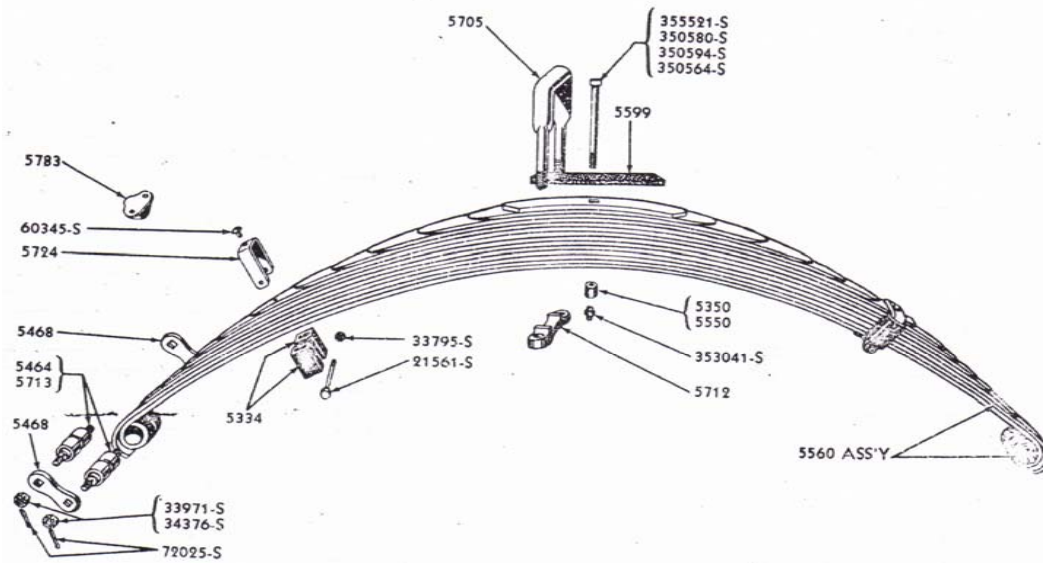
PL-22

EXHAUST SYSTEM (1946)

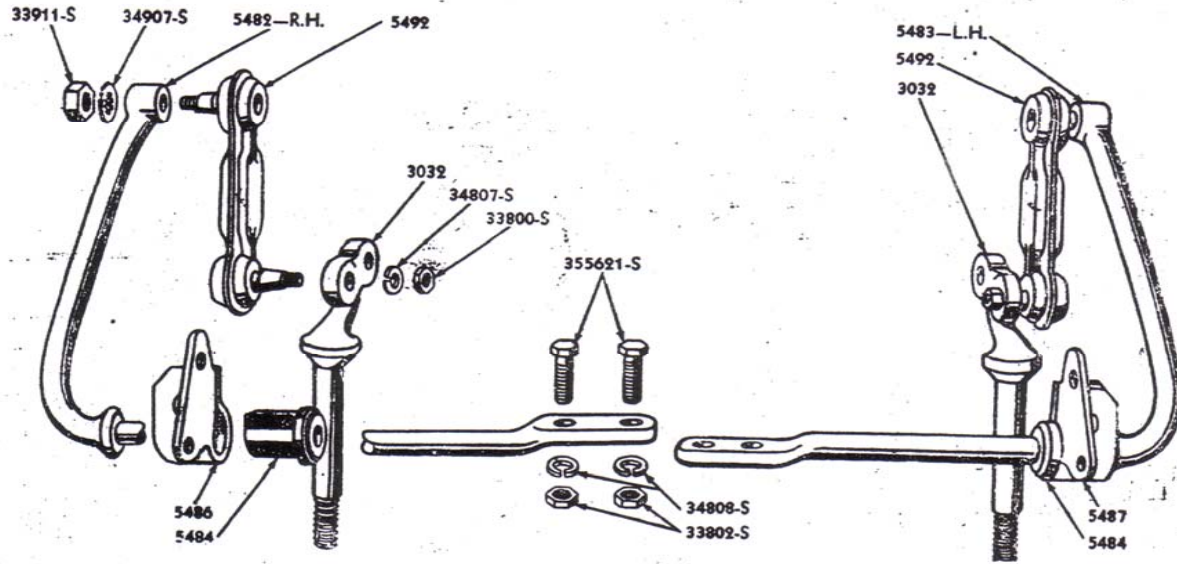


PL-141

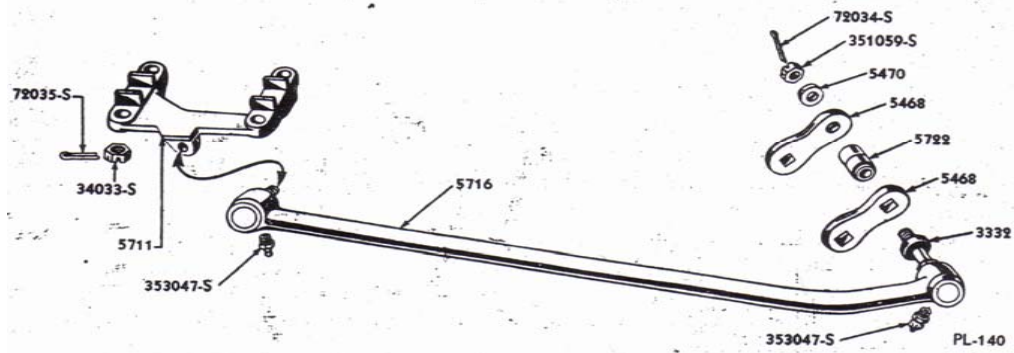
Rear Spring

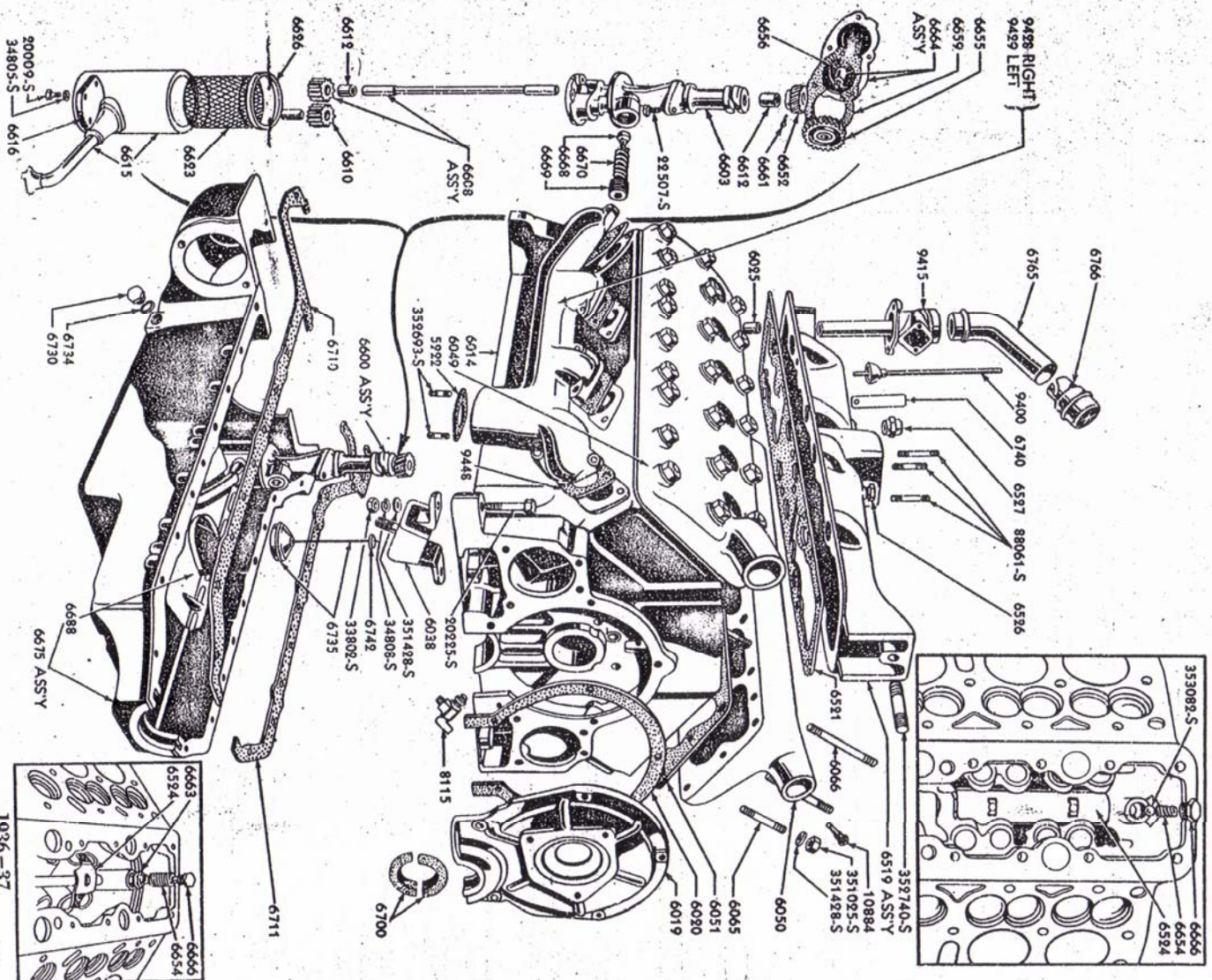


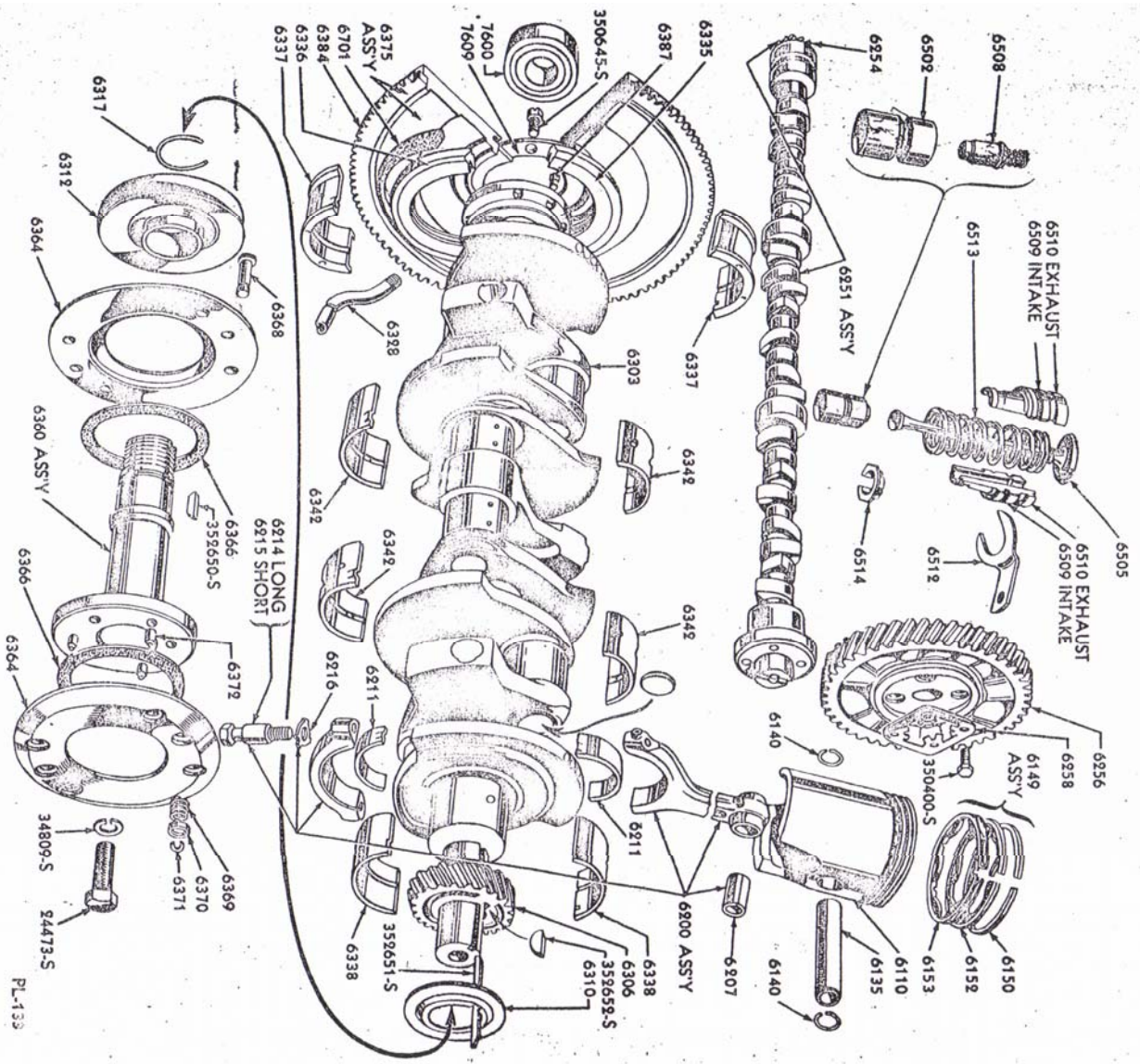
Stabilator

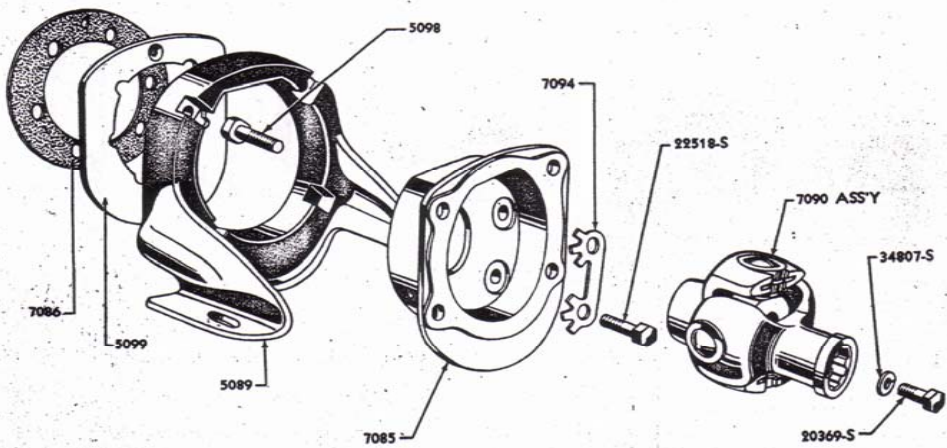


Strut Rod (Rear Spring)







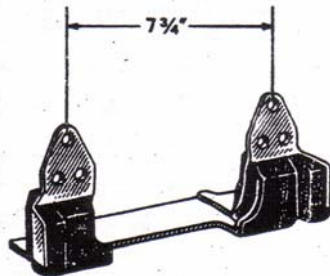


1940

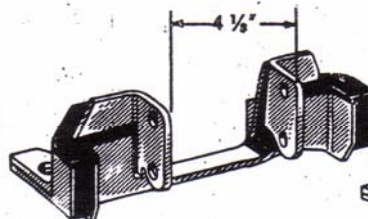
PL-33



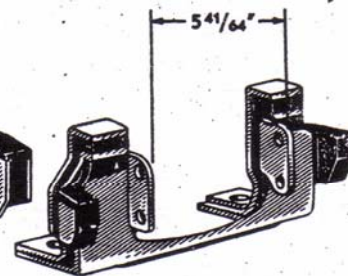
06H-5039-A



06H-5089-B

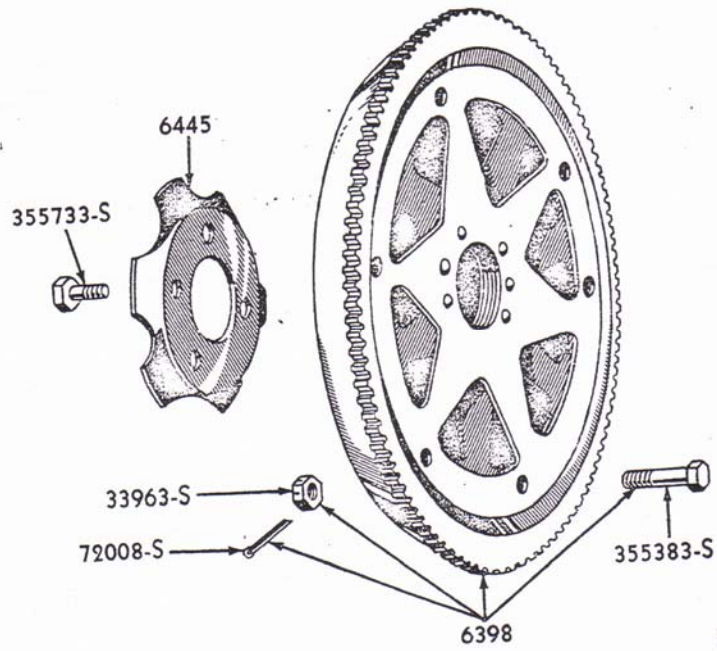


16H-5089-A

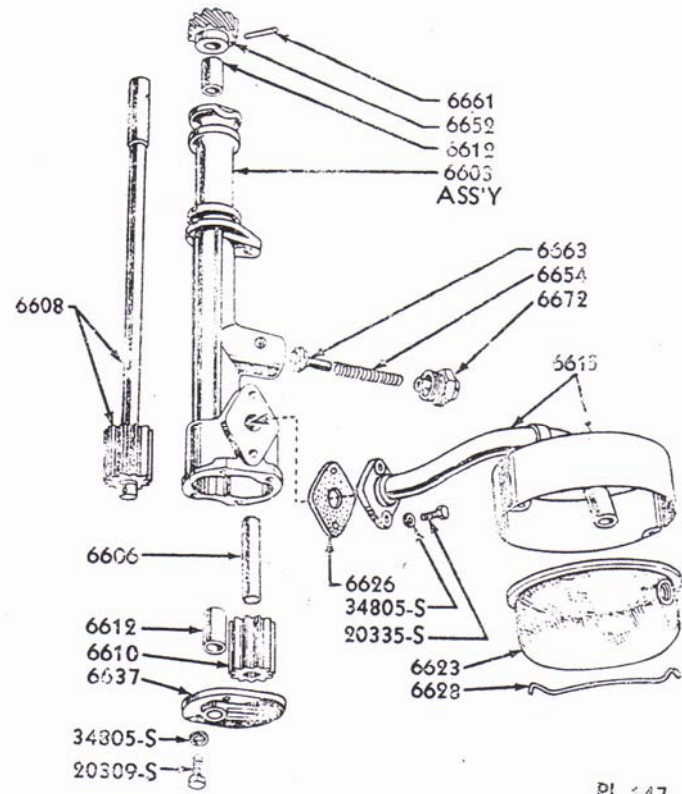


26H-5089-A

PL-227

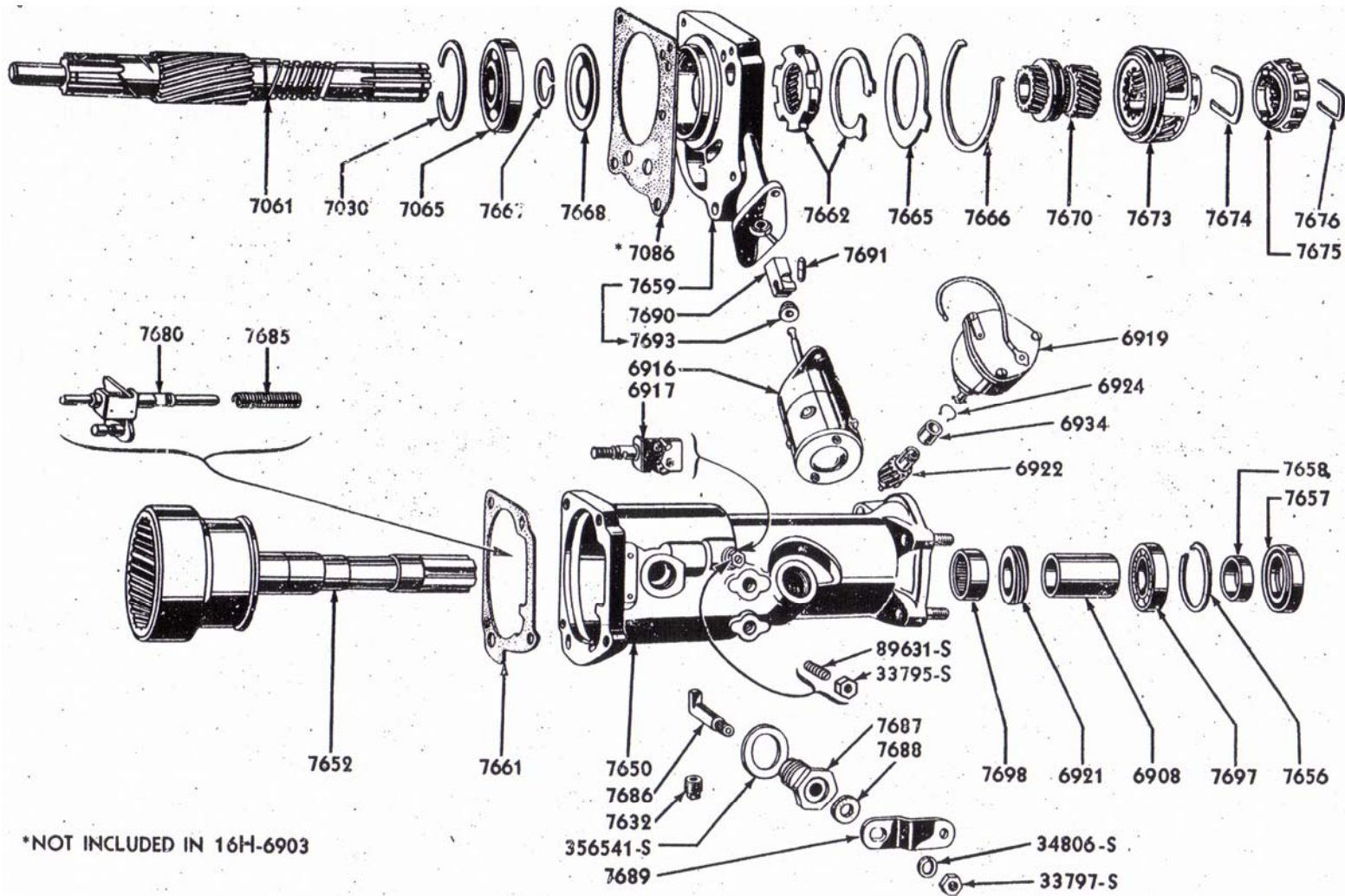


PL-29



PL-147

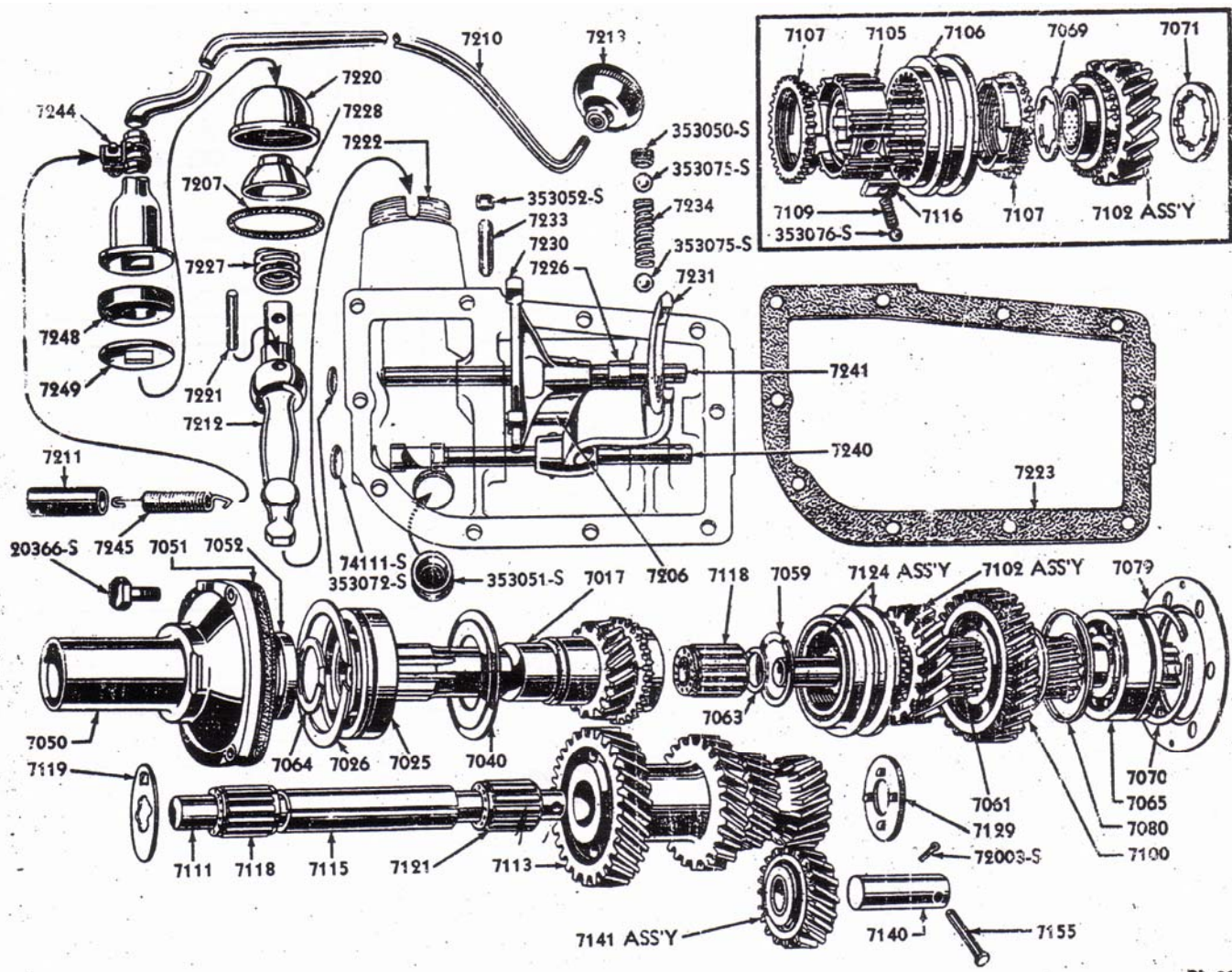
OIL PUMP (56H-6600)

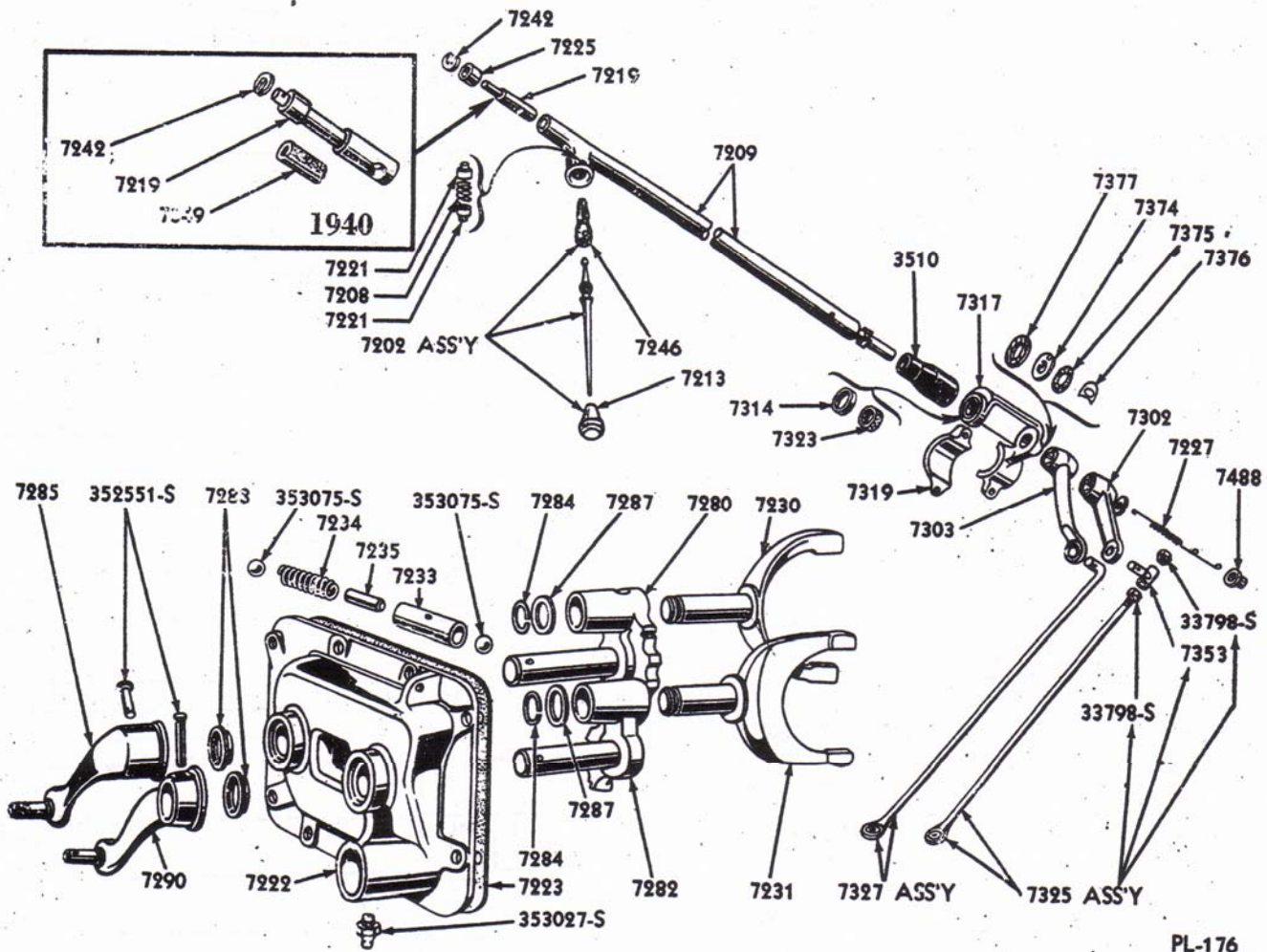


*NOT INCLUDED IN 16H-6903

PL-135

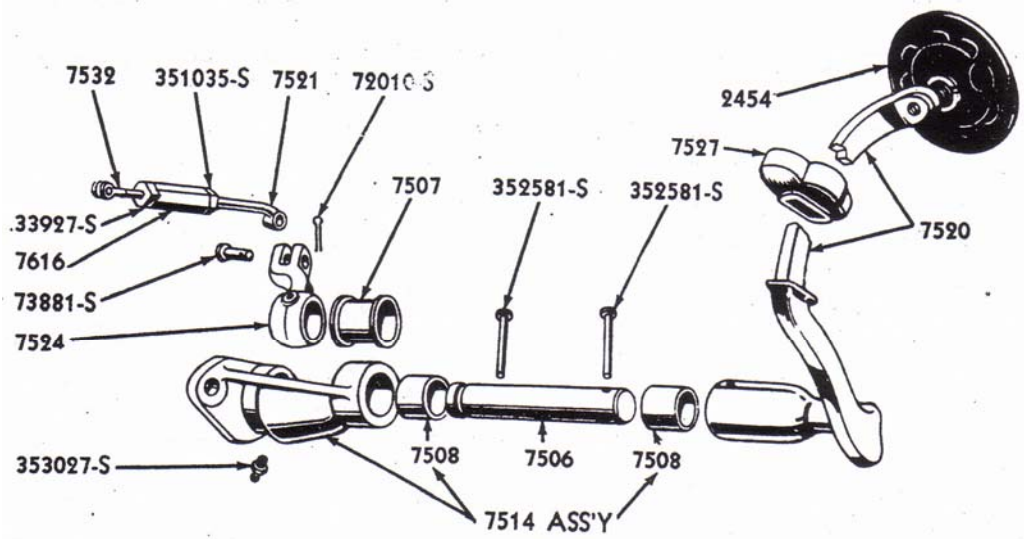
TRANSMISSION OVERDRIVE (16H-6903)





PL-176

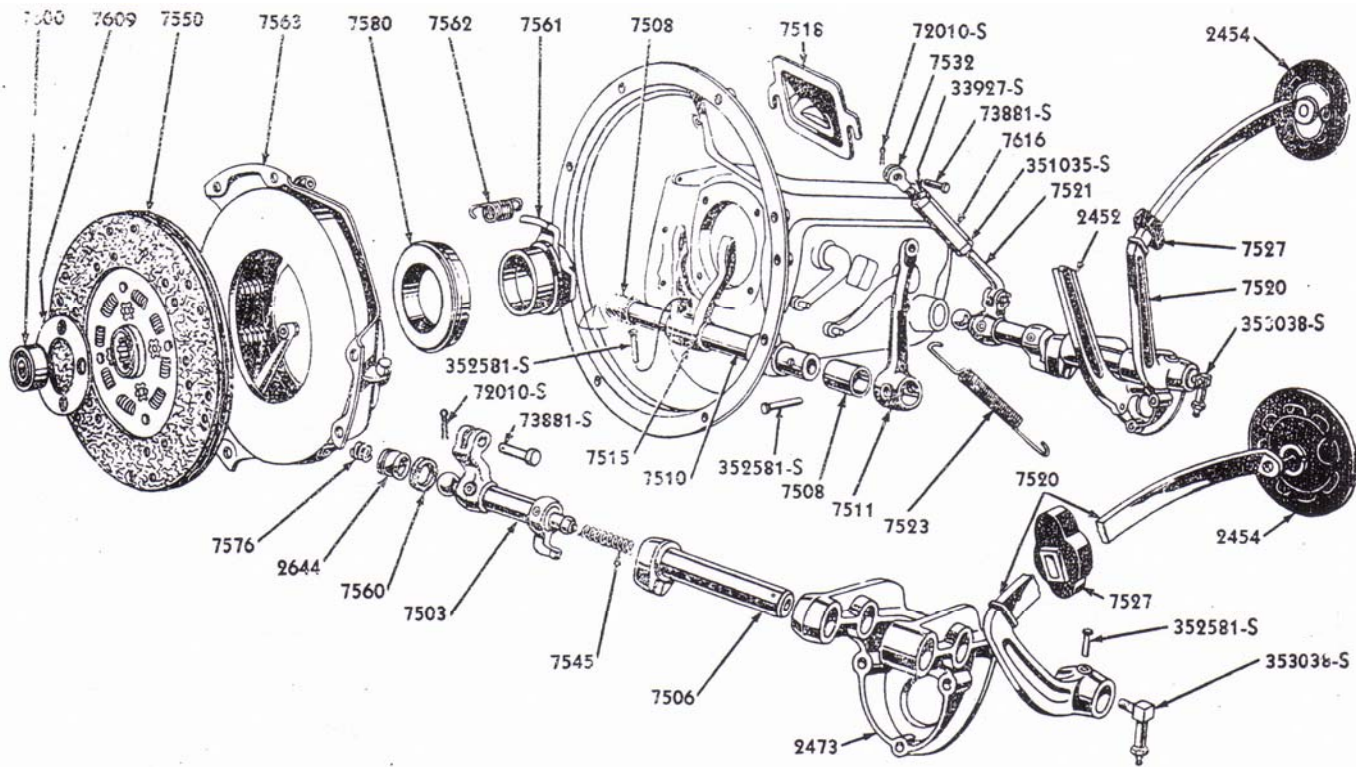
STEERING GEAR TYPE GEAR SHIFT



1938-39

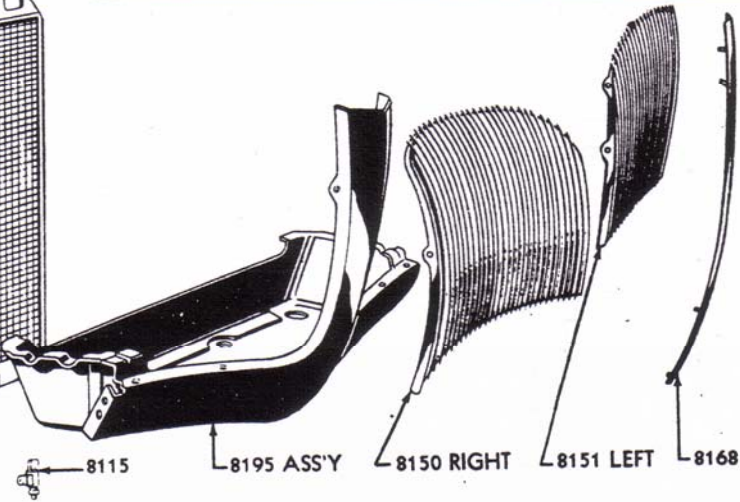
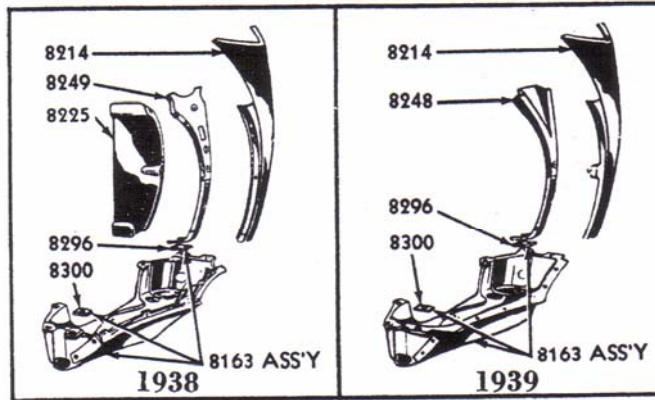
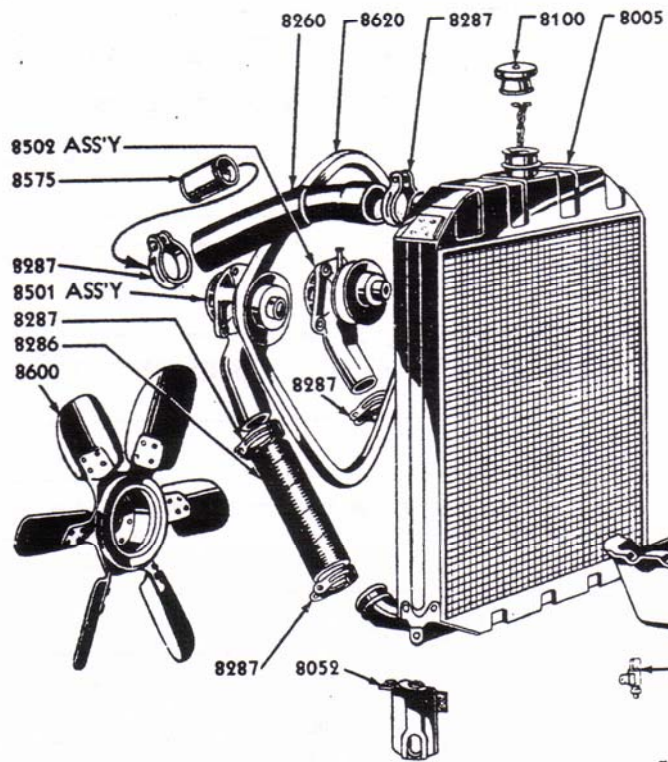
PL-66

CLUTCH PEDAL AND BRACKET ASSY (86H-7503-A)



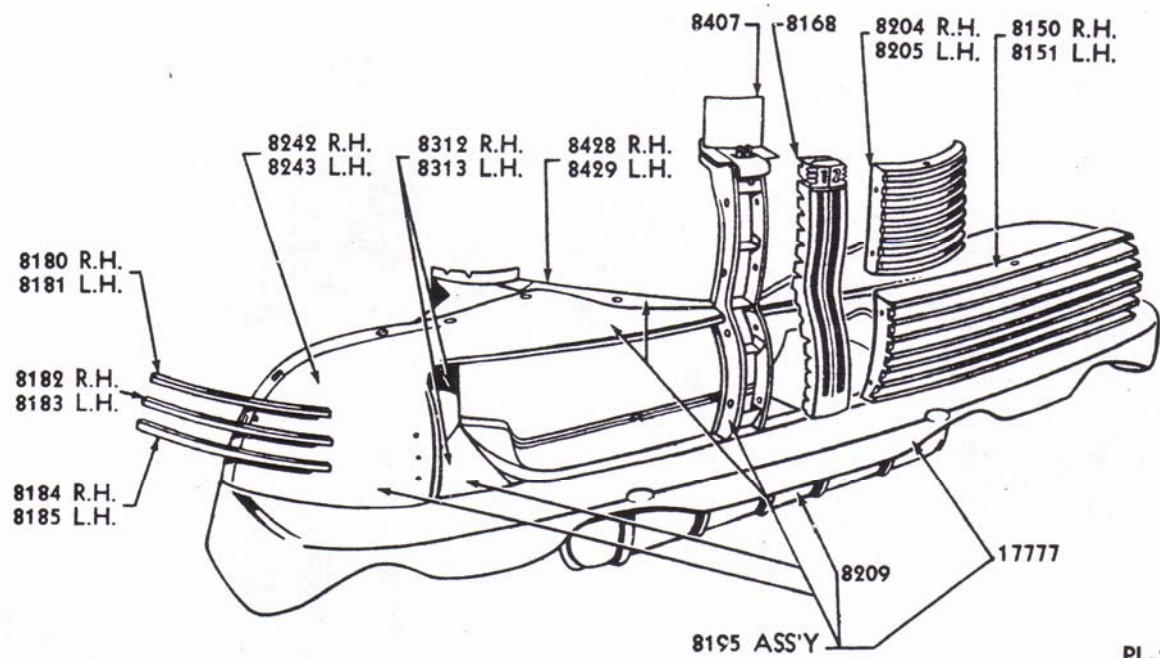
PL-35

CLUTCH AND CLUTCH PEDAL (1940)



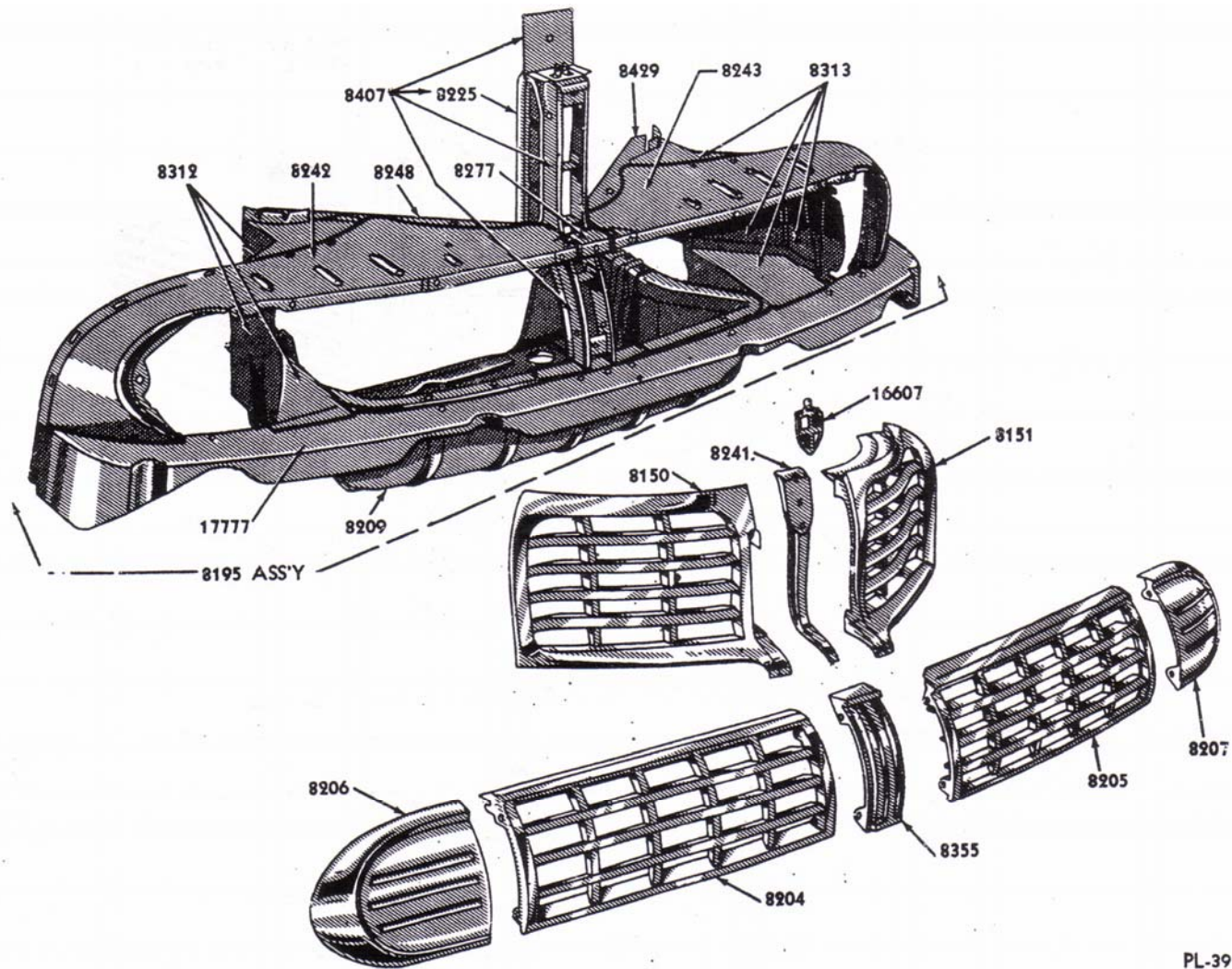
1940

PL-36

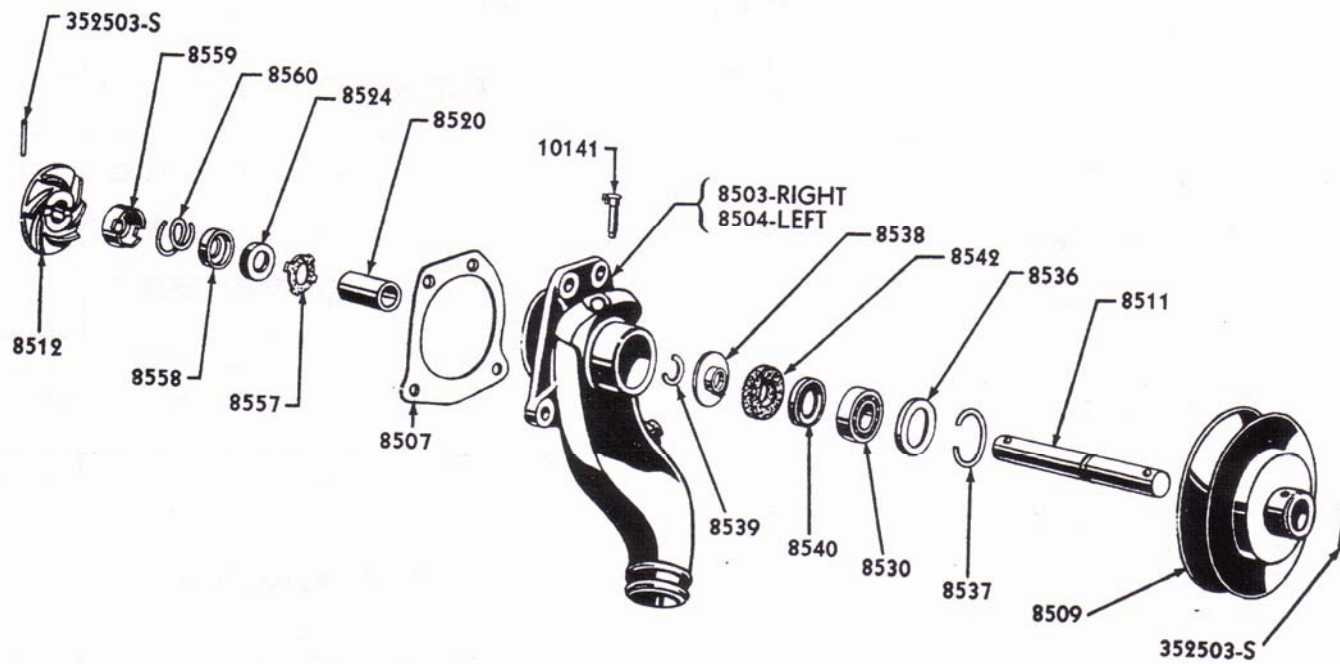


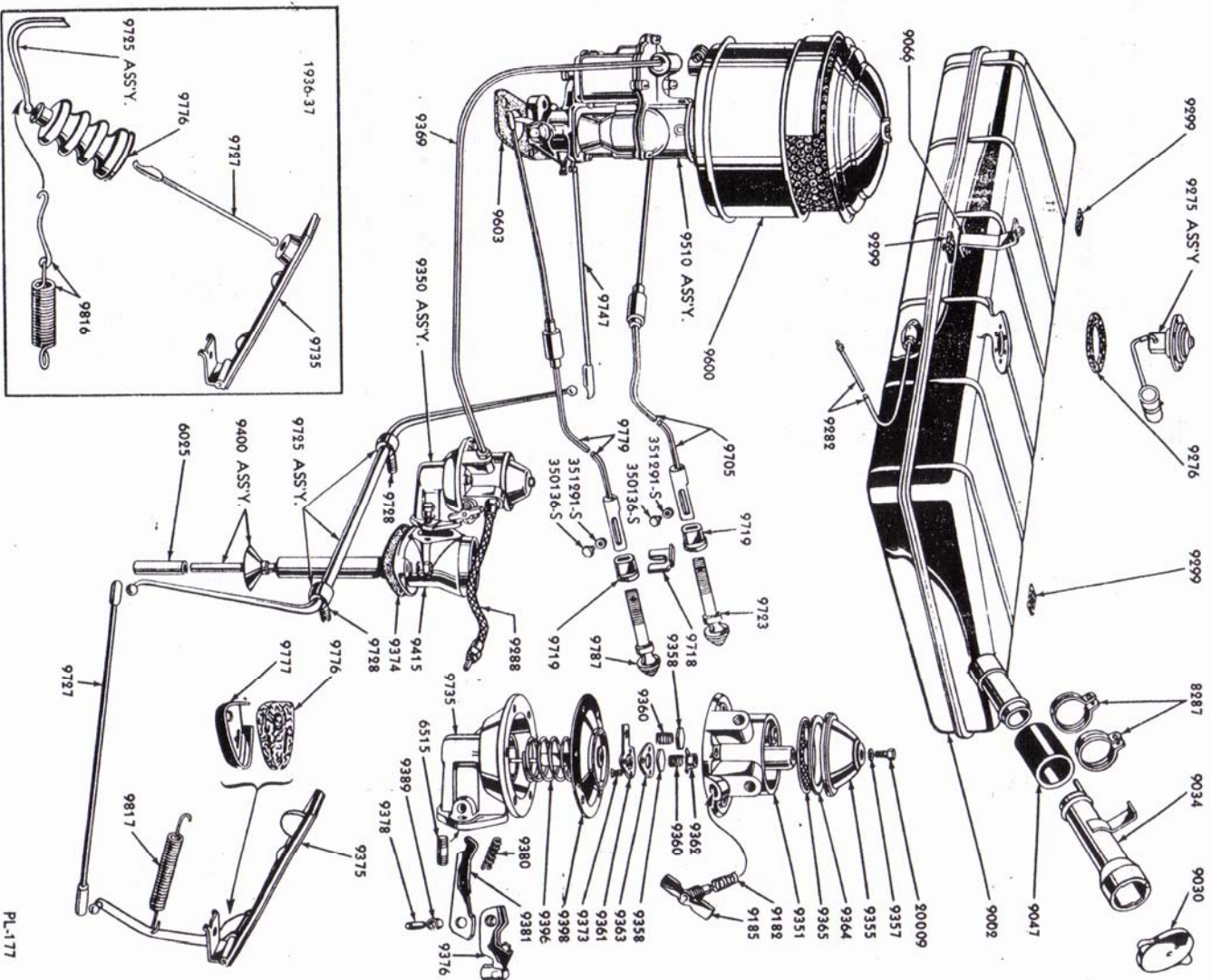
FRONT END (1942)

PL-38



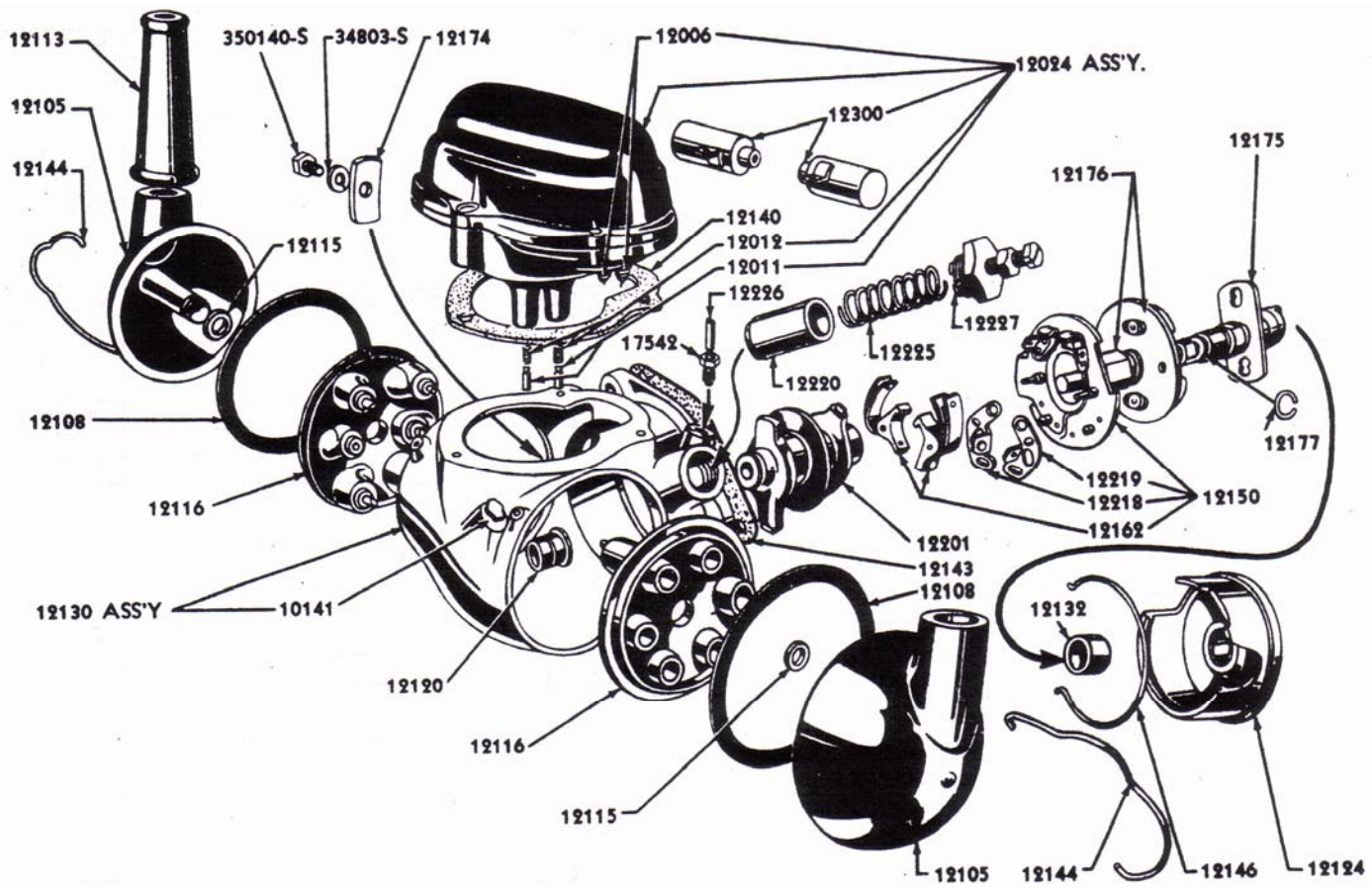
FRONT END (1946-48)

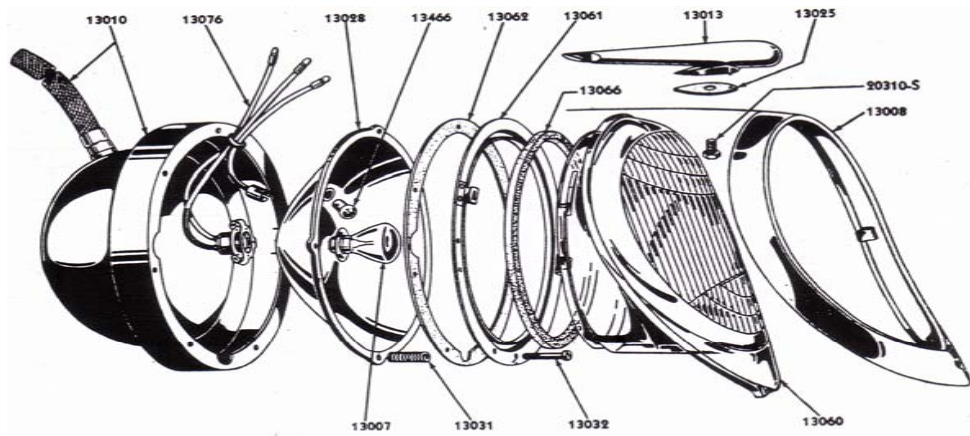




FUEL SYSTEM (1940)

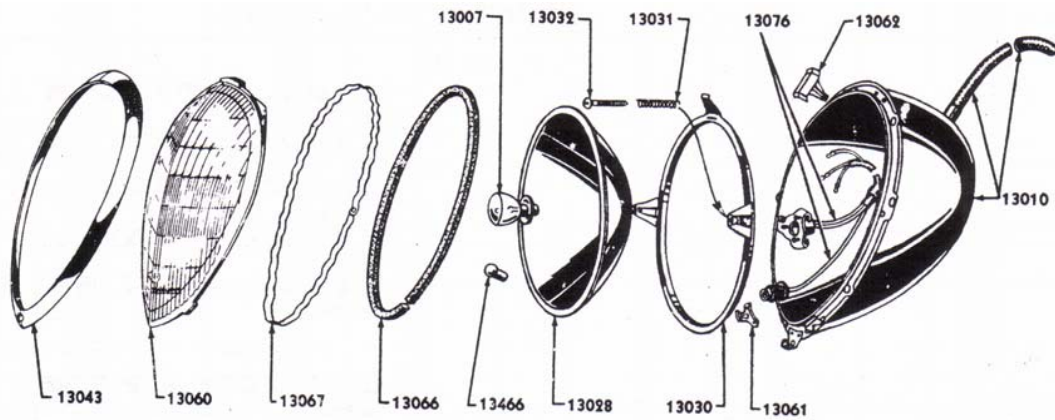
PL-177





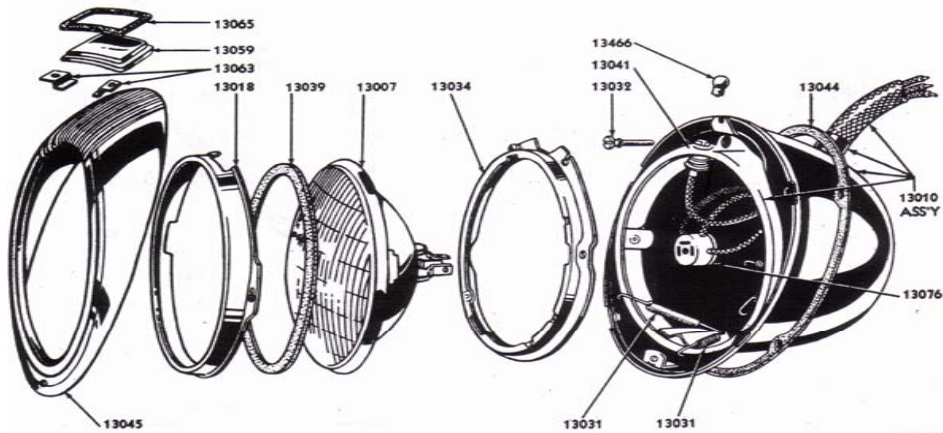
PL-48

HEADLAMP (1937)



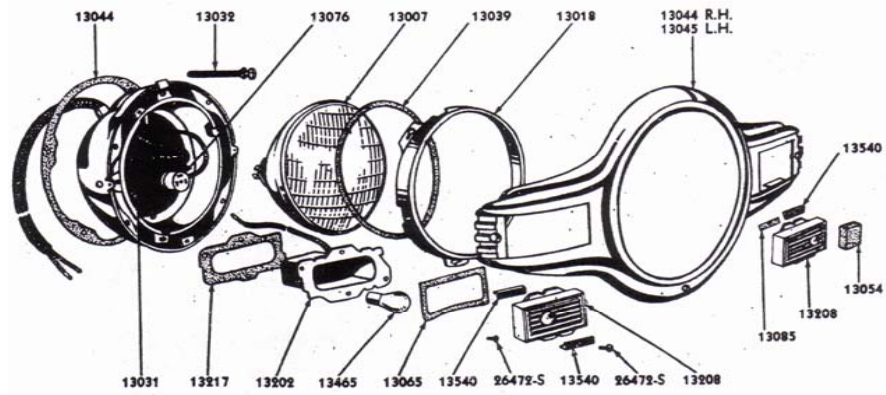
PL-49

HEADLAMP (1938-39)



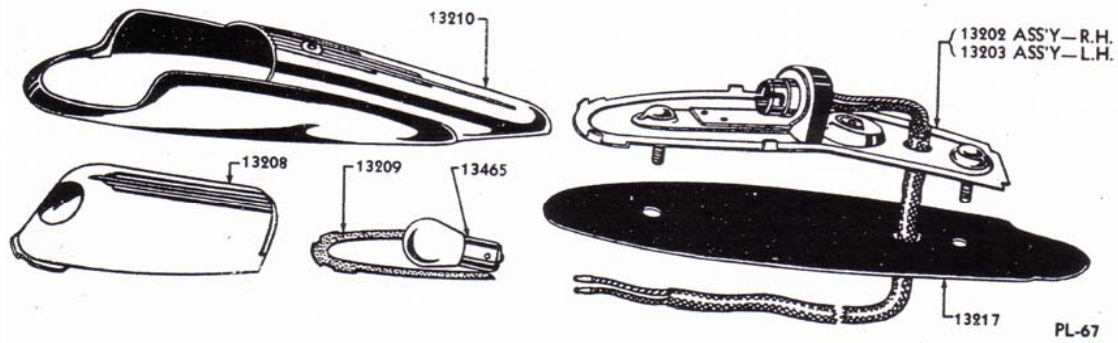
PL-50

HEADLAMP (1940)

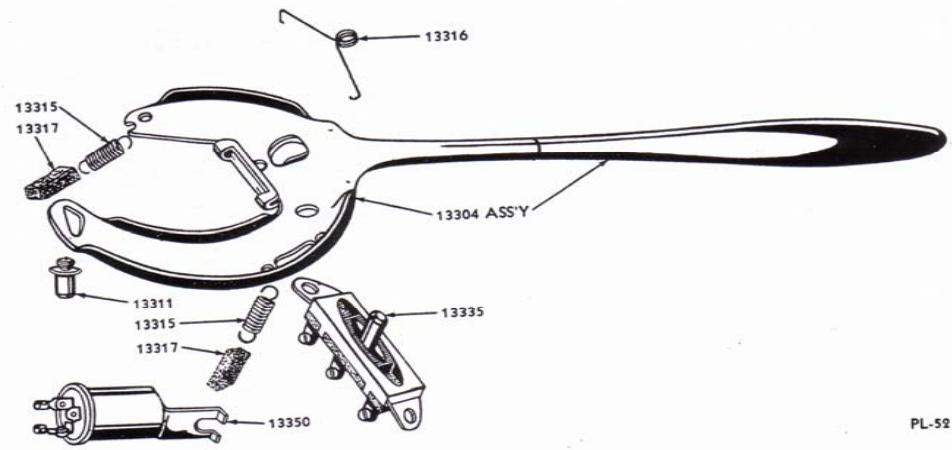


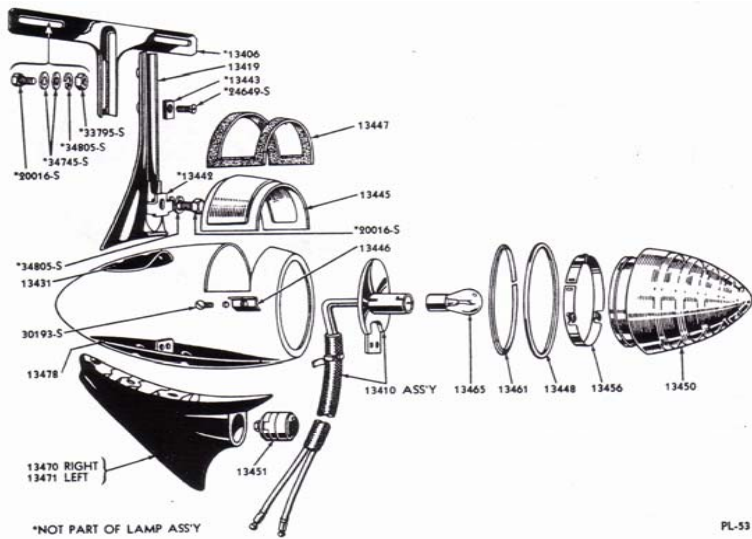
PL-51

HEADLAMP (1942-48)



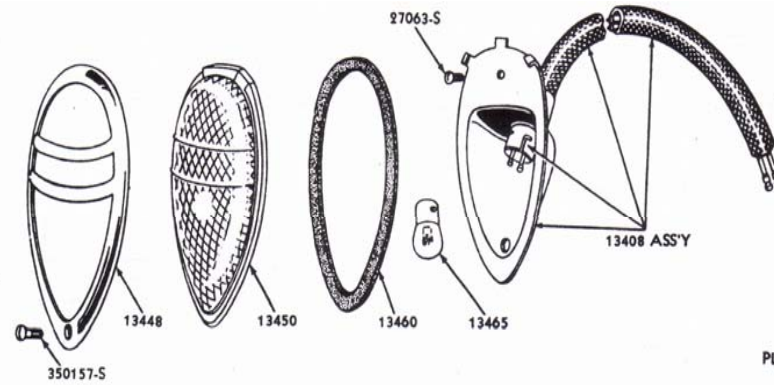
PARKING LAMP (1941)





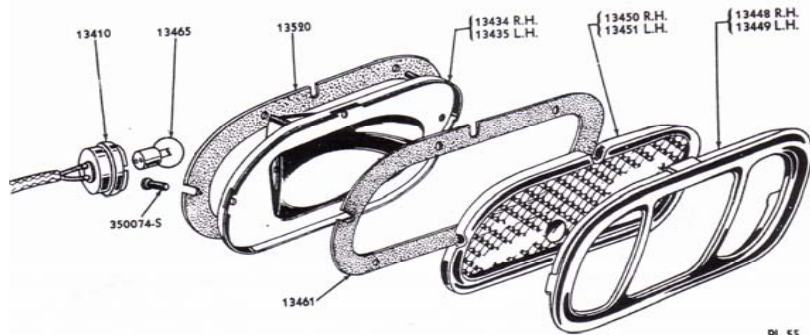
REAR LAMP (1936-37)

PL-53



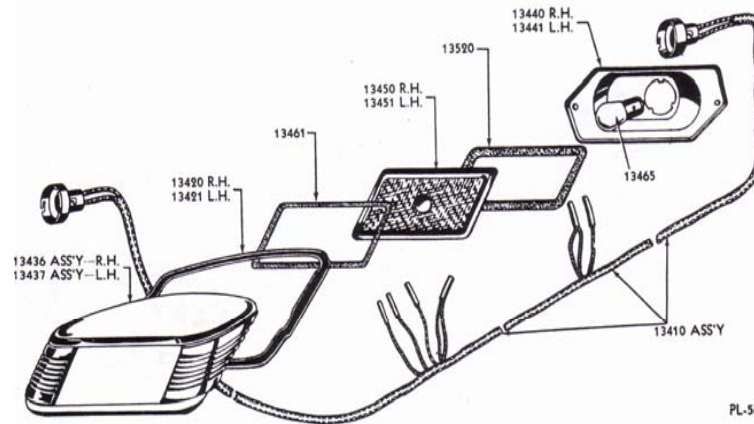
REAR LAMP (1938-39)

PL-54



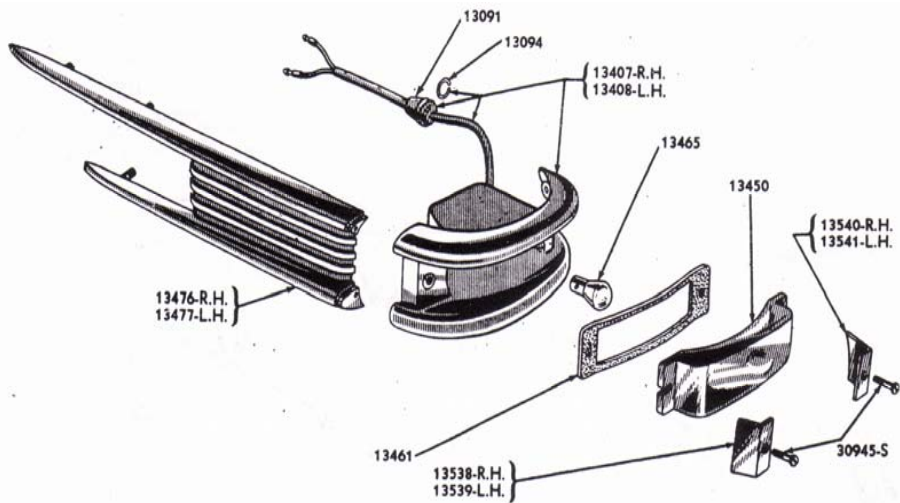
REAR LAMP (1940)

PL-55



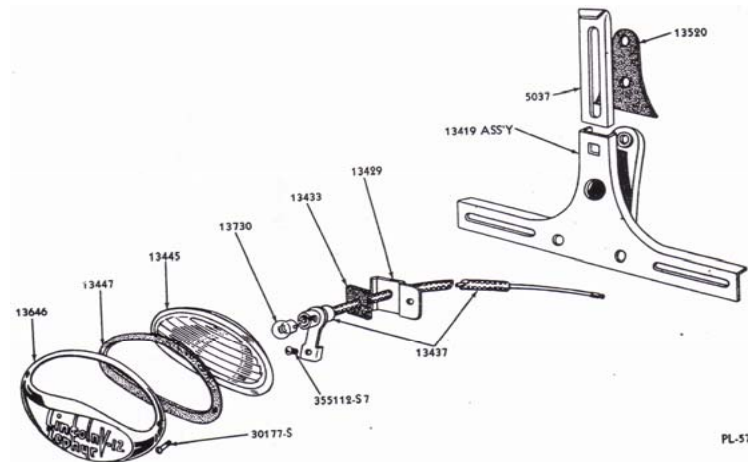
REAR LAMP (1941)

PL-56



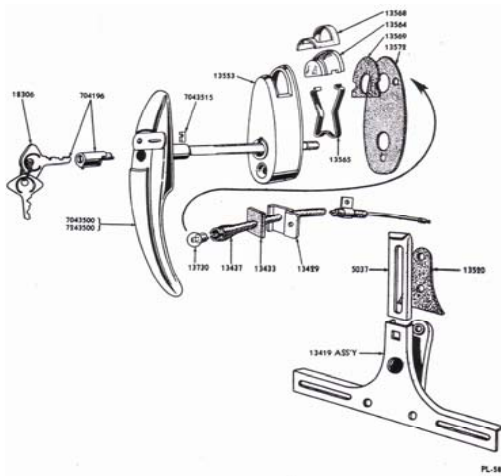
REAR LAMP (1942-48)

PL-178



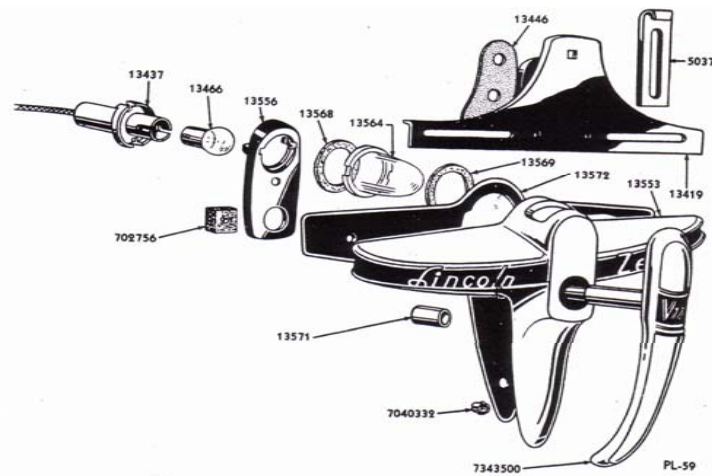
REAR LICENSE LAMP (1938)

PL-57



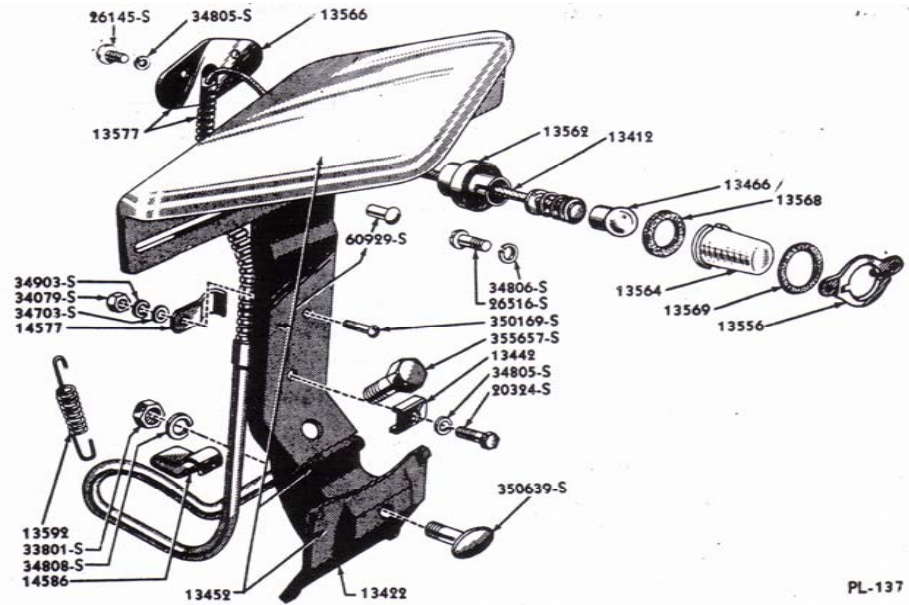
REAR LICENSE LAMP (1939)

PL-58

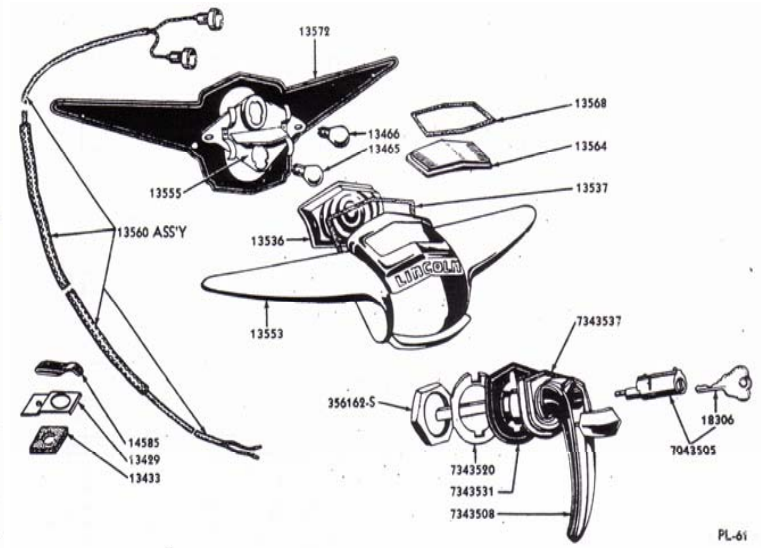


REAR LICENSE LAMP (1940)

PL-59



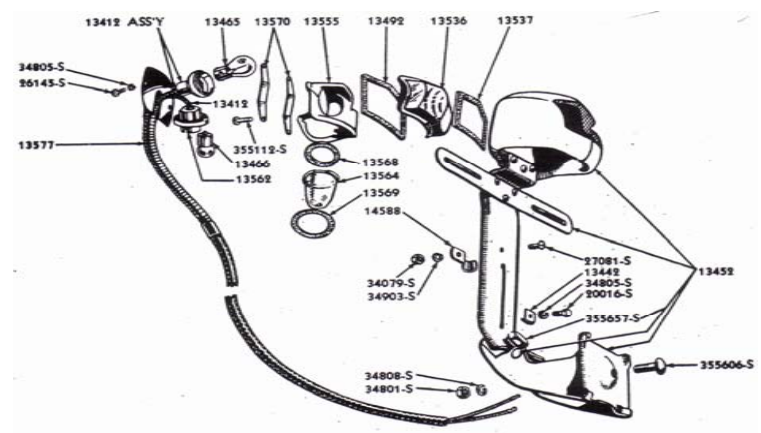
REAR LICENSE LAMP (1940 CONTINENTAL)



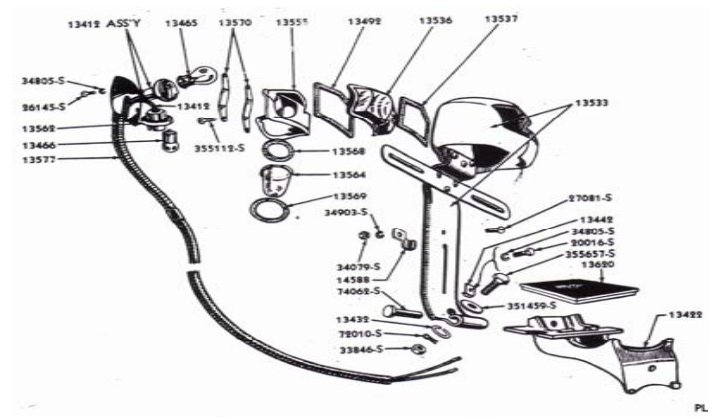
PL-137

REAR LICENSE AND STOP LAMP (1941)

PL-61

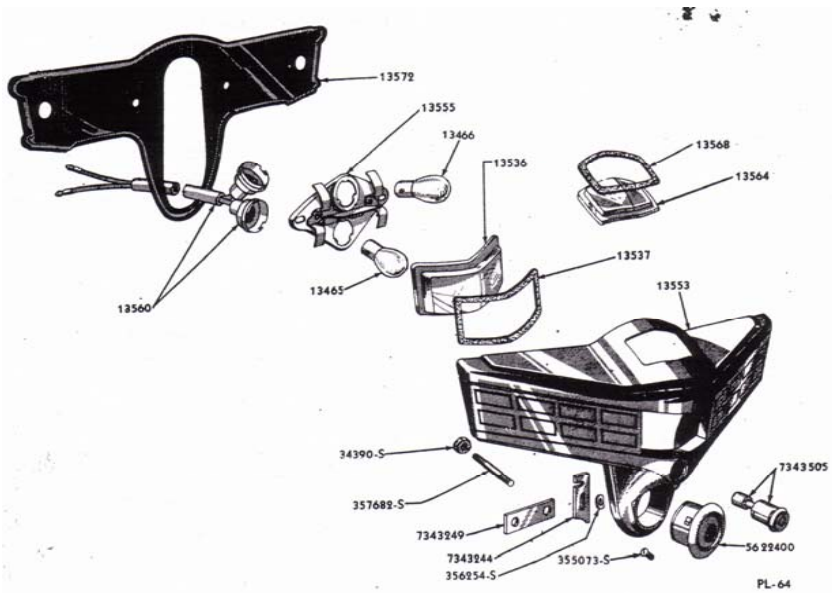


REAR LICENSE AND STOP LAMP (1941 CONTINENTAL)

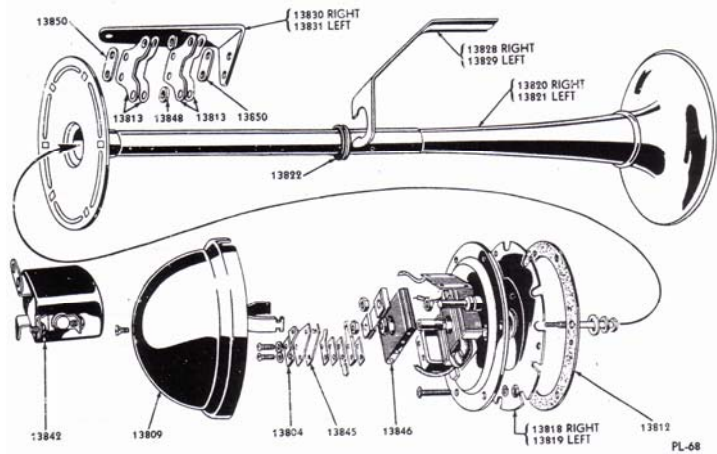


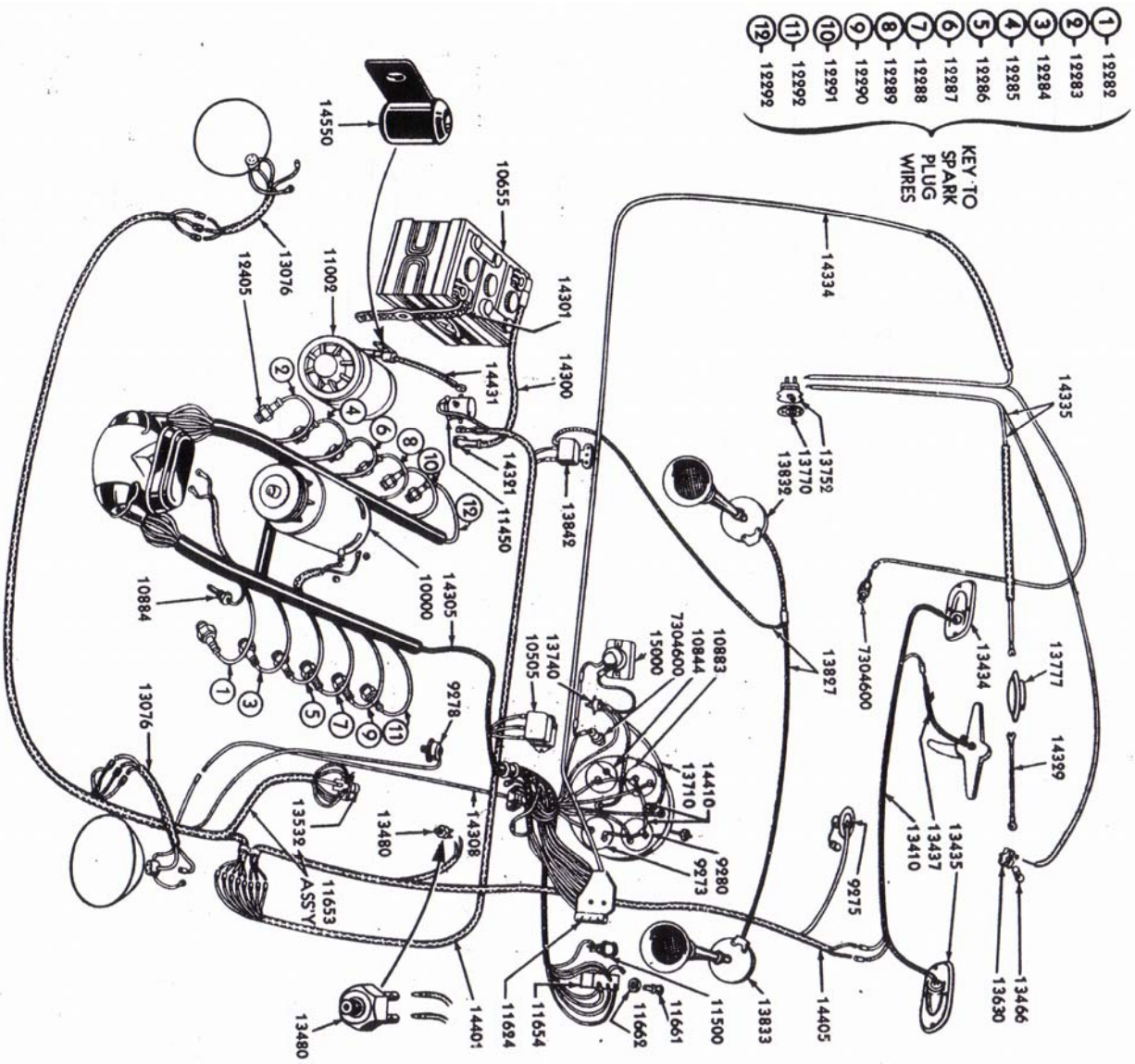
REAR LICENSE LAMP (1942-48 CONTINENTAL)

PL

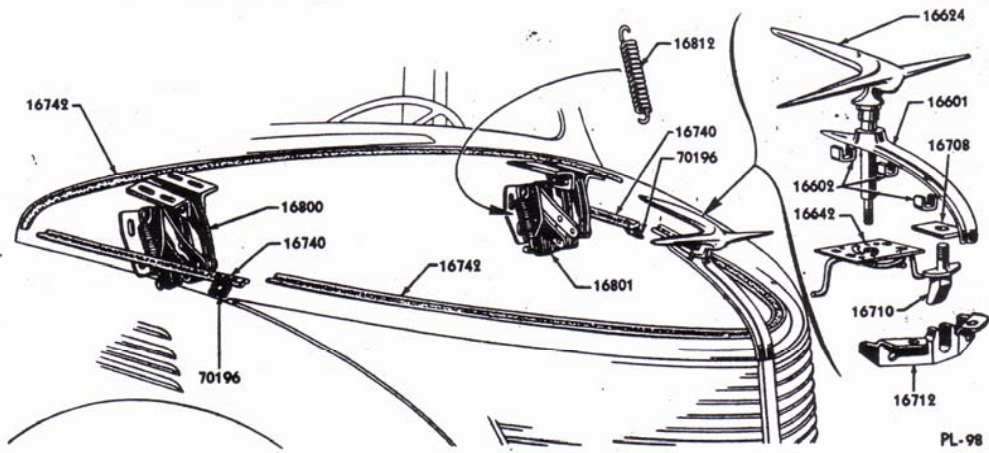


REAR LICENSE AND STOP LAMP (1946-48)



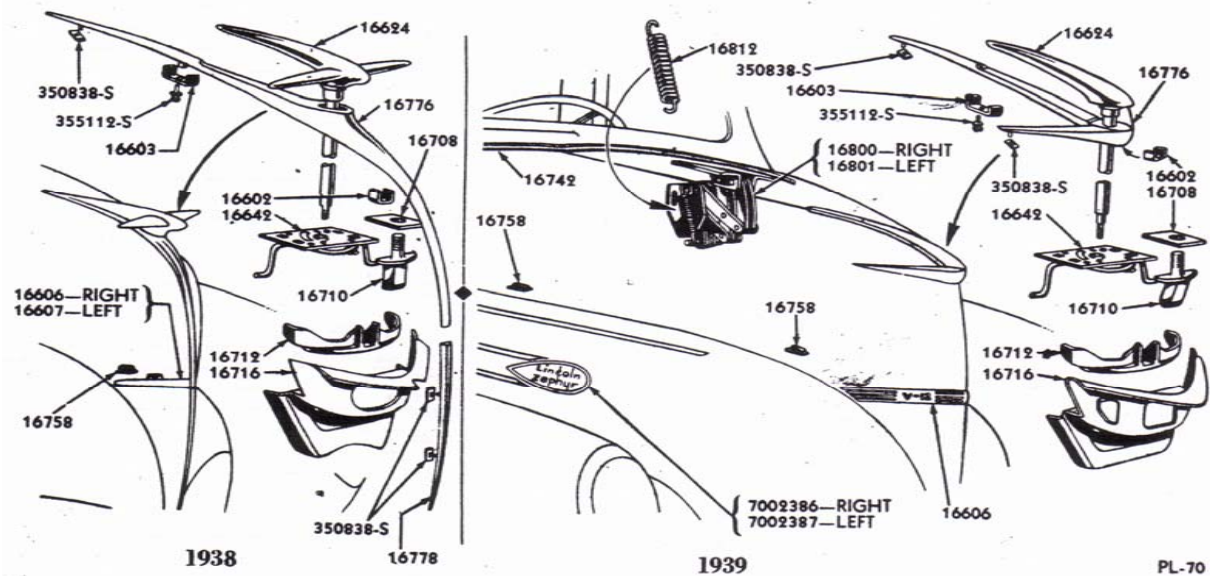


1940

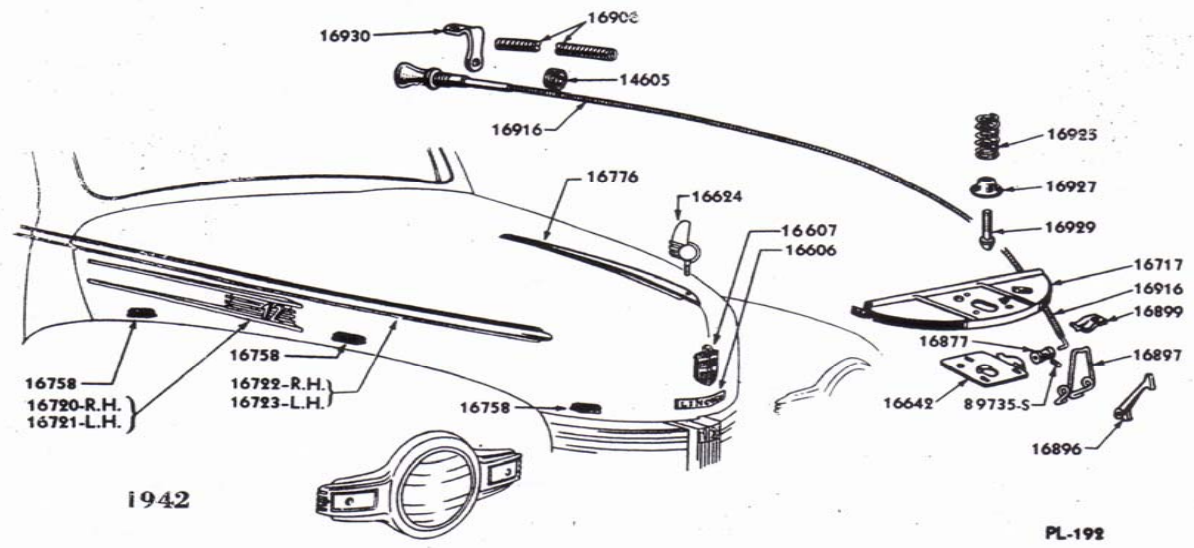
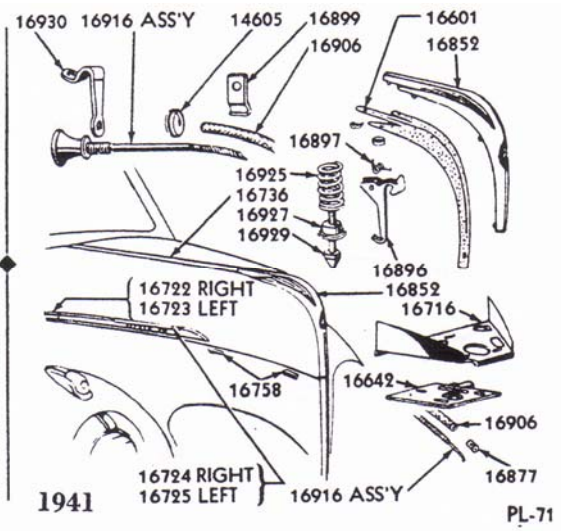
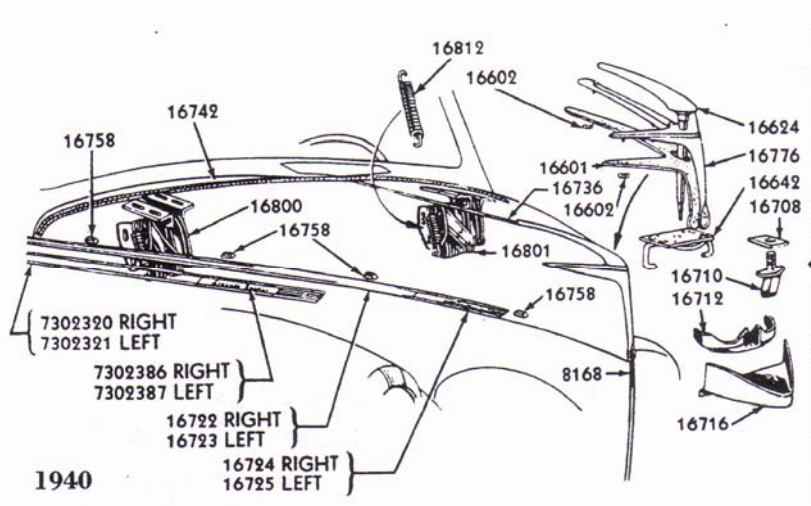


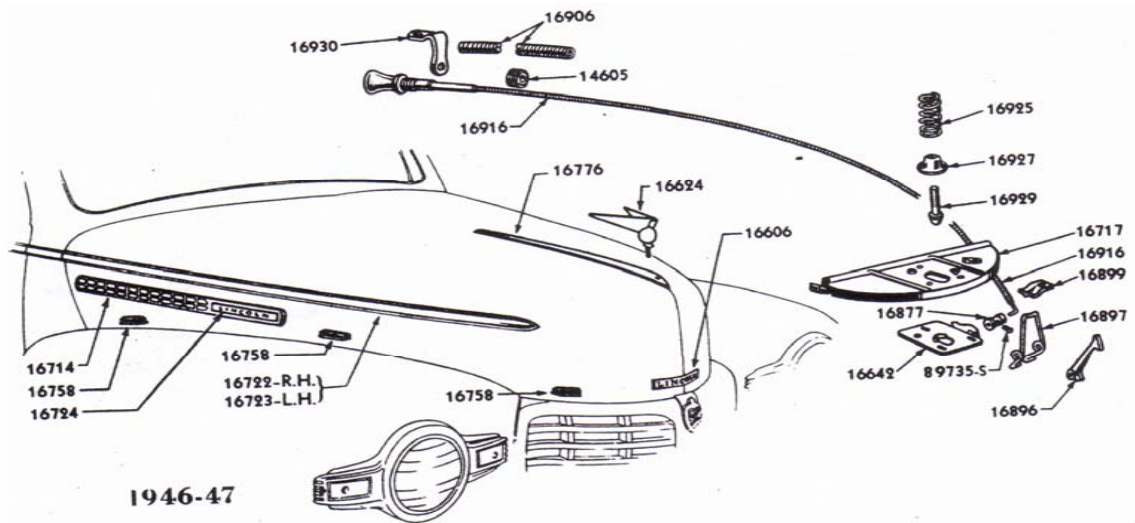
PL-98

HOOD (1936)

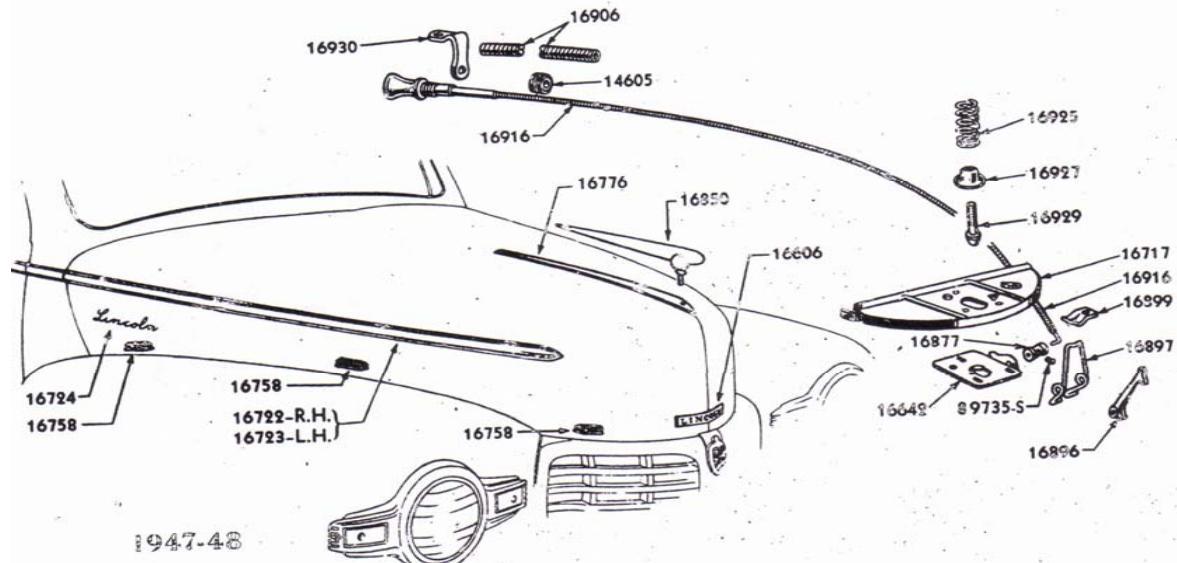


PL-70

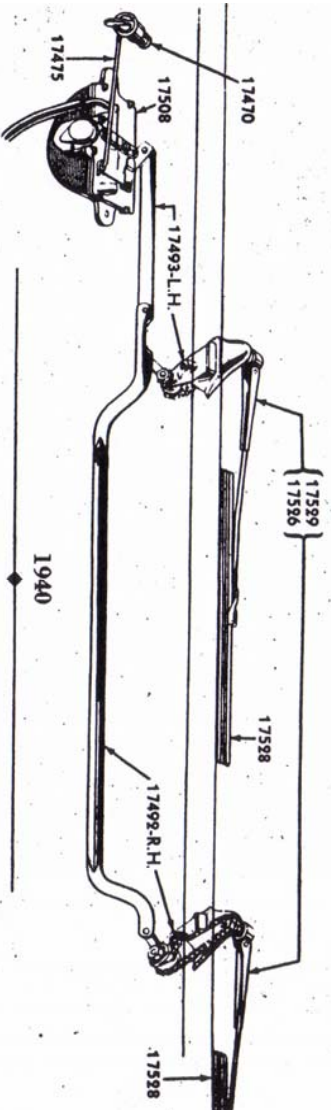
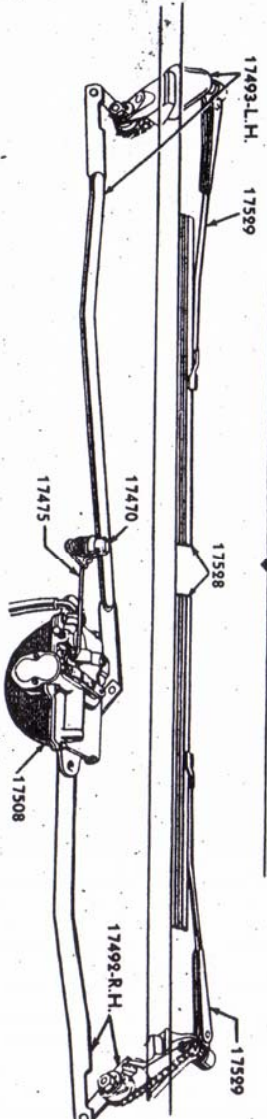
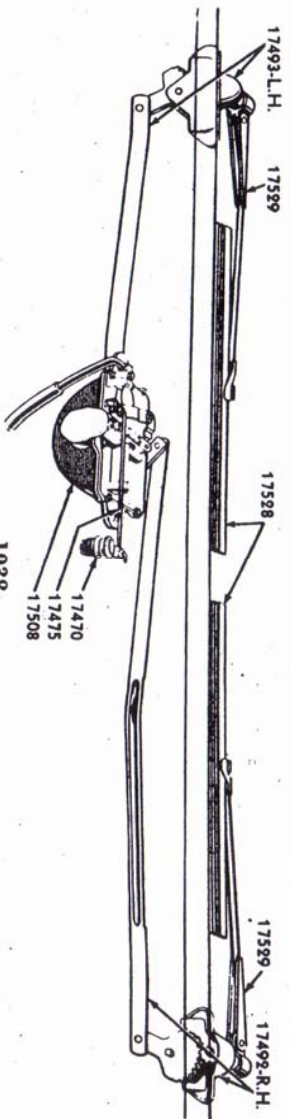




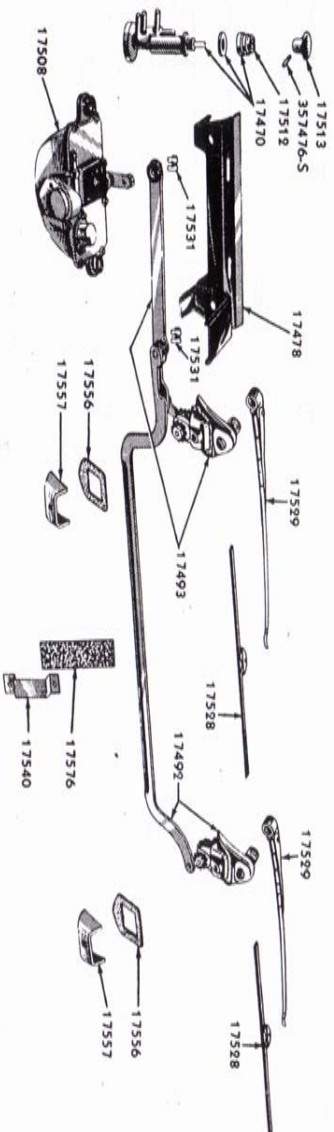
1946-47



1947-48

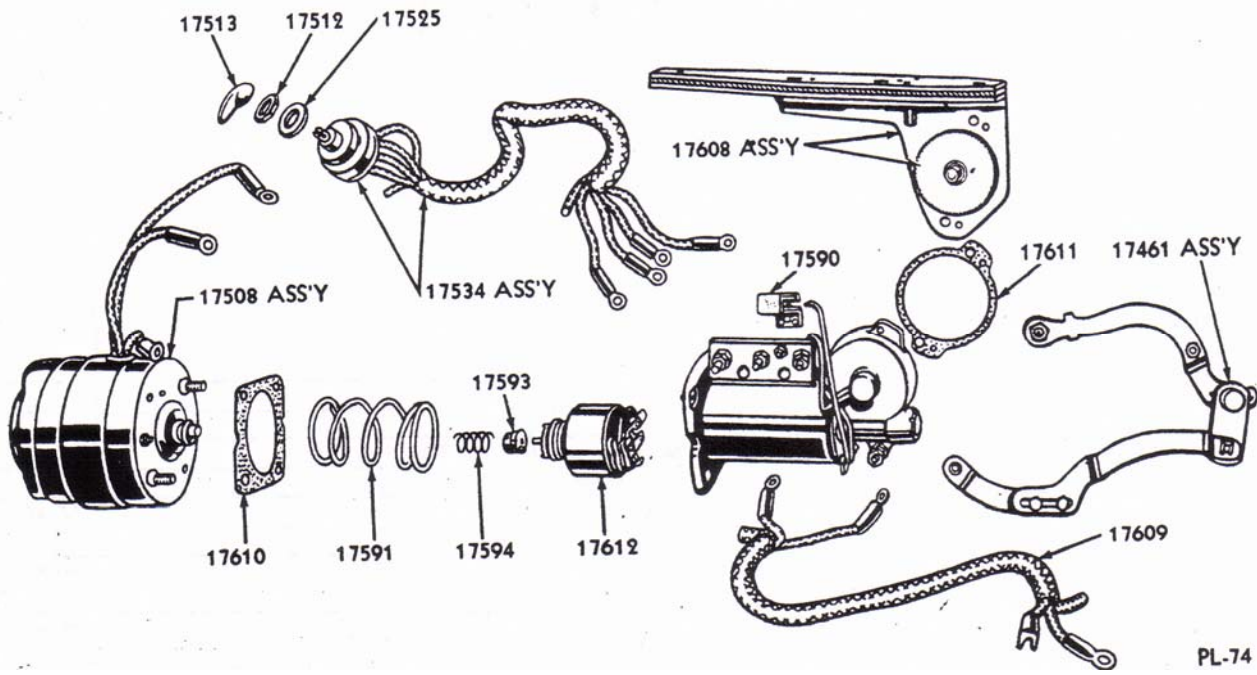


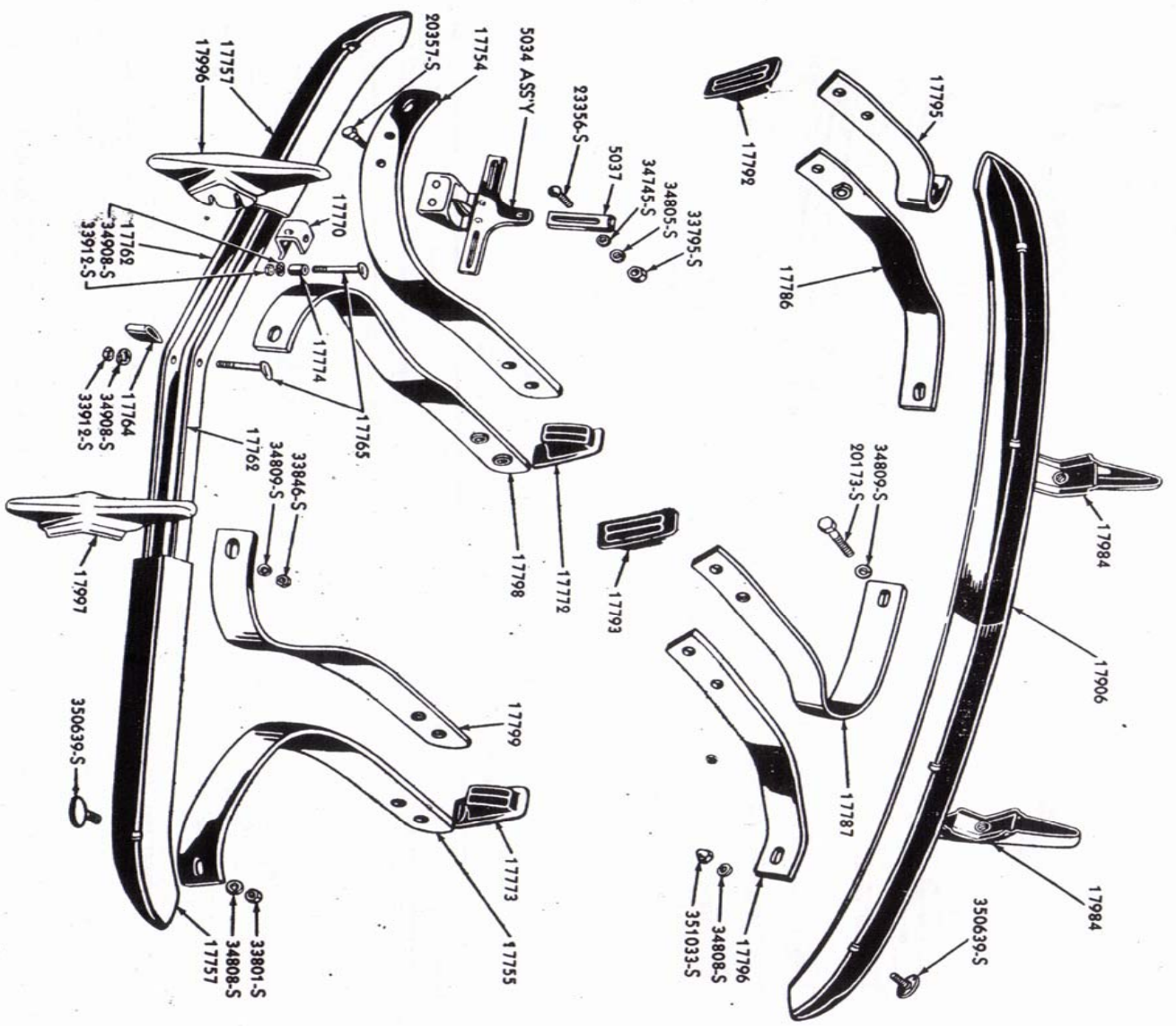
PL-73

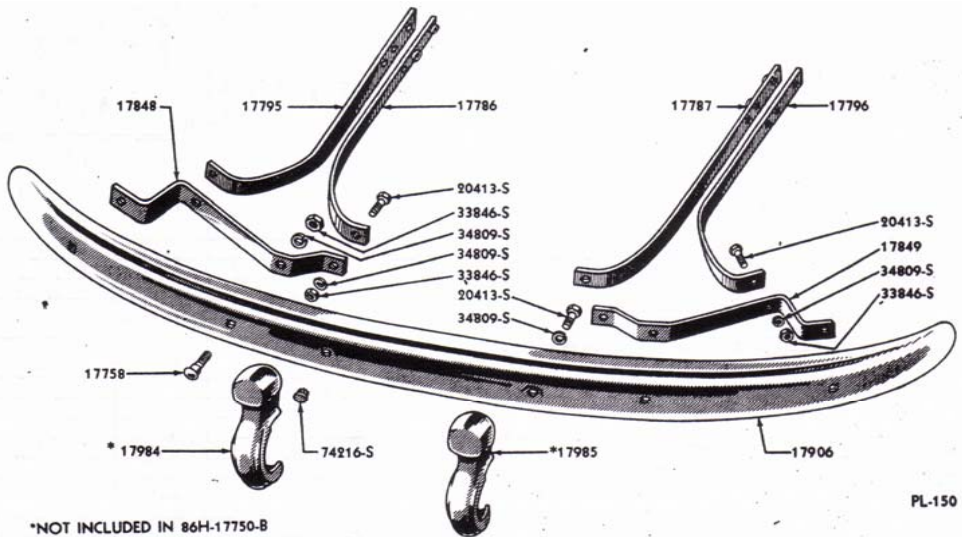


1946-48

PL-97

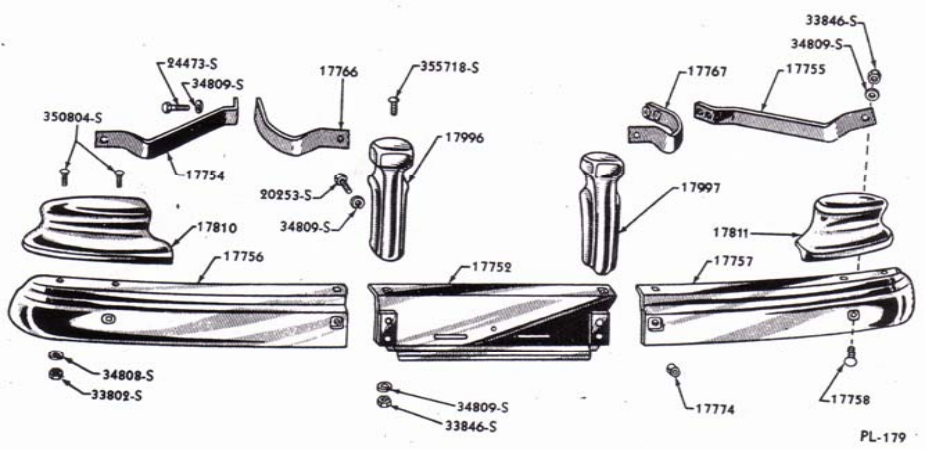






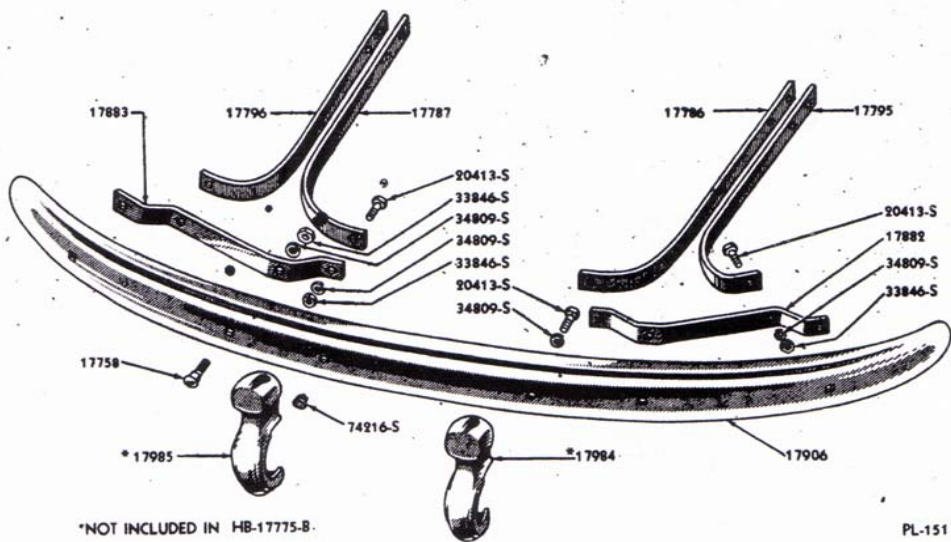
FRONT BUMPER KIT (86H-17750-B)

PL-150

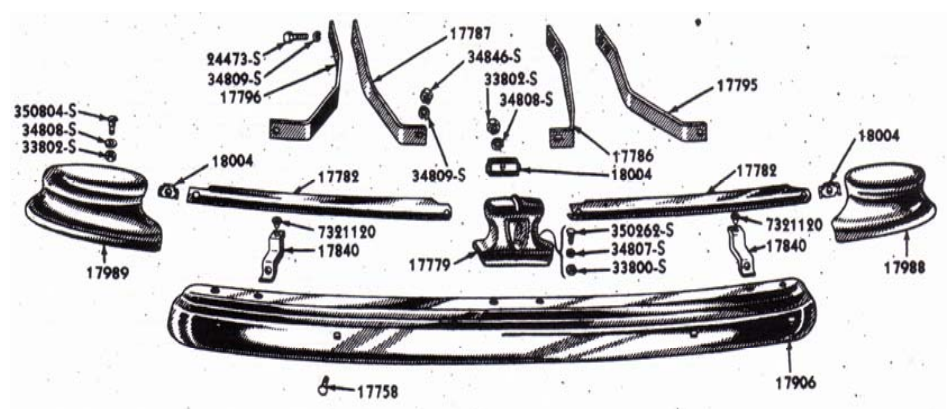


FRONT BUMPER (5EH-17748)

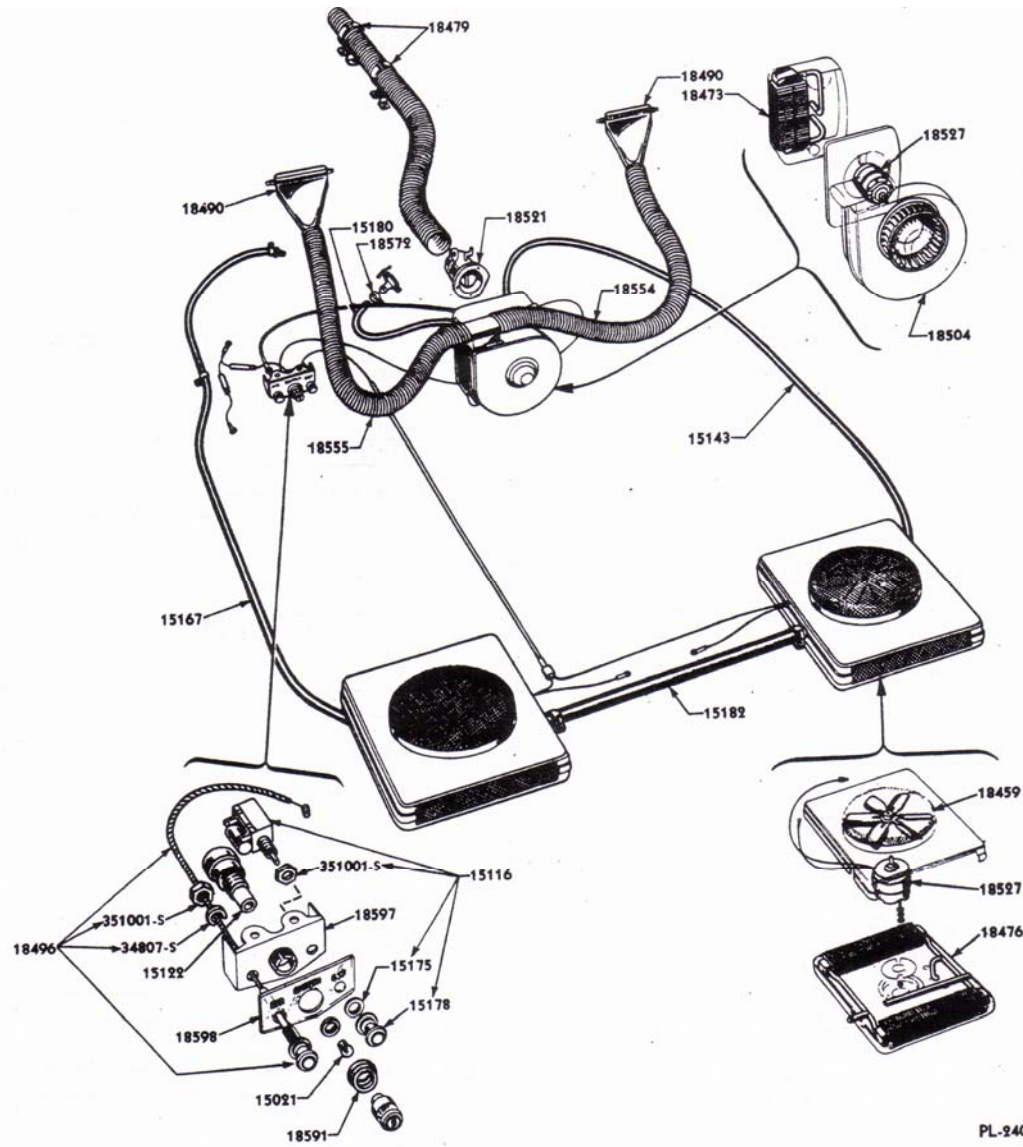
PL-179



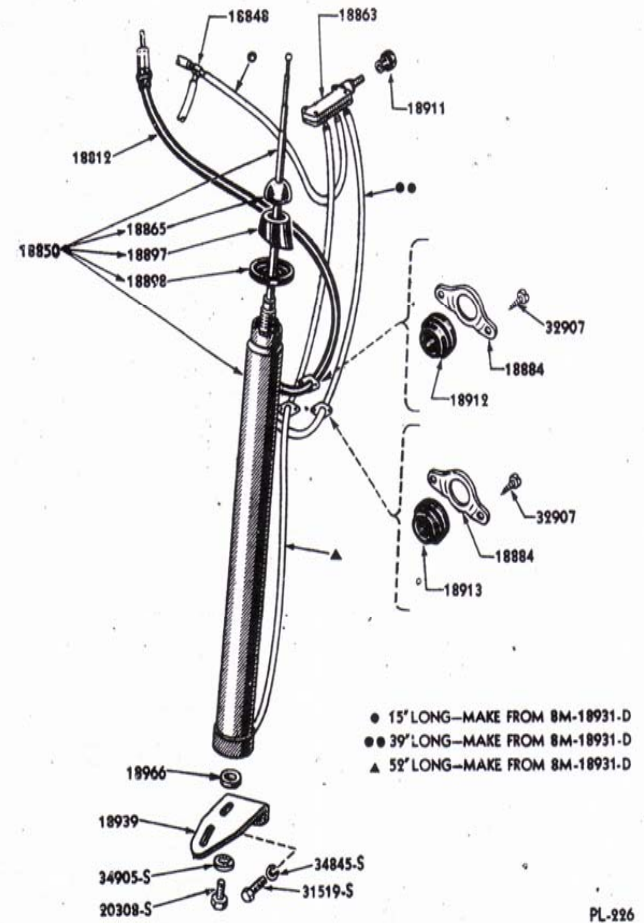
REAR BUMPER KIT (HB-17775-B)



REAR BUMPER (5EH-17778-A)



PL-240



PL-226

Fog Lamp

